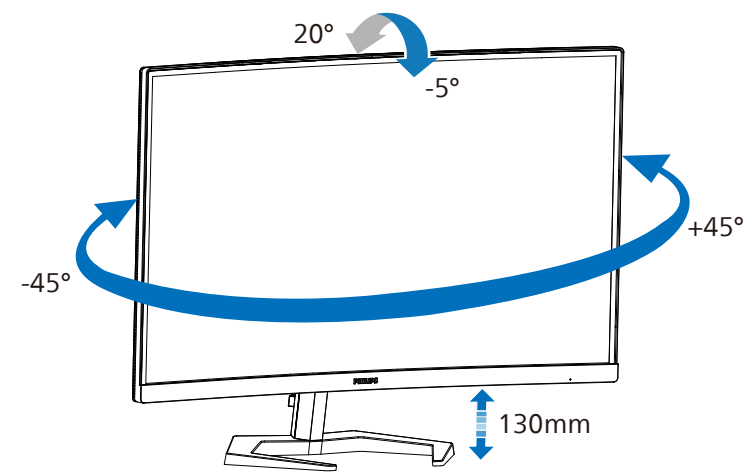
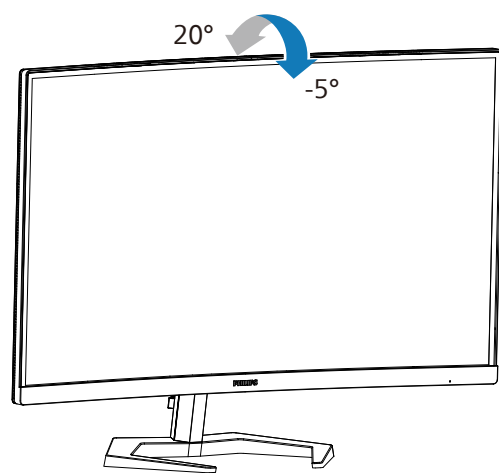


4

32M1C5500V



32M1C5500VL



Register your product and get support at [www.philips.com/support](http://www.philips.com/support)



FAQ



Software SmartControl



User Manual

Version: 32M1C5500Q1T  
2021 © TOP Victory Investments Ltd. All rights reserved.

This product has been manufactured by and is sold under the responsibility of Top Victory Investments Ltd., and Top Victory Investments Ltd. is the warrantor in relation to this product. Philips and the Philips Shield Emblem are registered trademarks of Koninklijke Philips N.V. and are used under license.

Specifications are subject to change without notice.

**HDMI**

The terms HDMI, HDMI High-Definition Multimedia Interface, HDMI Trade Dress and the HDMI Logos are trademarks or registered trademarks of HDMI Licensing Administrator, Inc.

[www.evnia.philips](http://www.evnia.philips)

Energy Labelling  
32M1C5500VL



Printed in China



Q41G32M1813C10

EVNIA

# Quick start

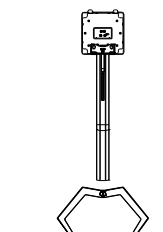
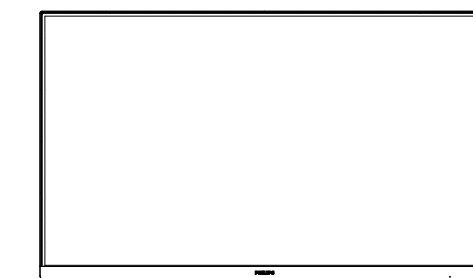


32M1C5500V  
32M1C5500VL

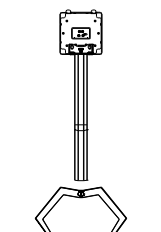
Register your product and get support at [www.philips.com/welcome](http://www.philips.com/welcome)

**PHILIPS**

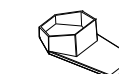
## Contents



32M1C5500V



32M1C5500VL



\*Earphone-Hang



Power



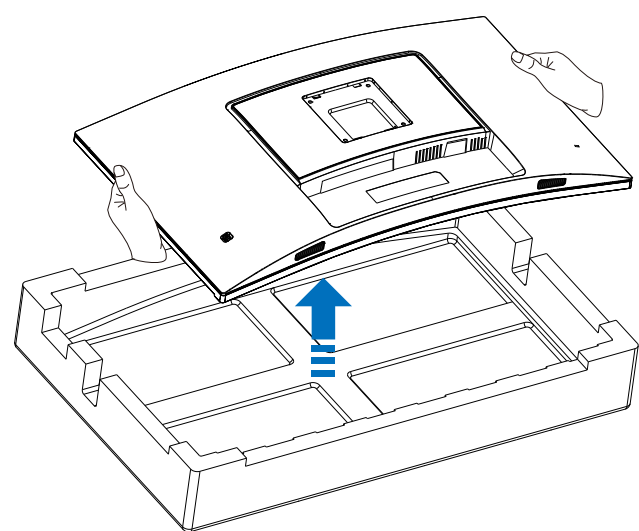
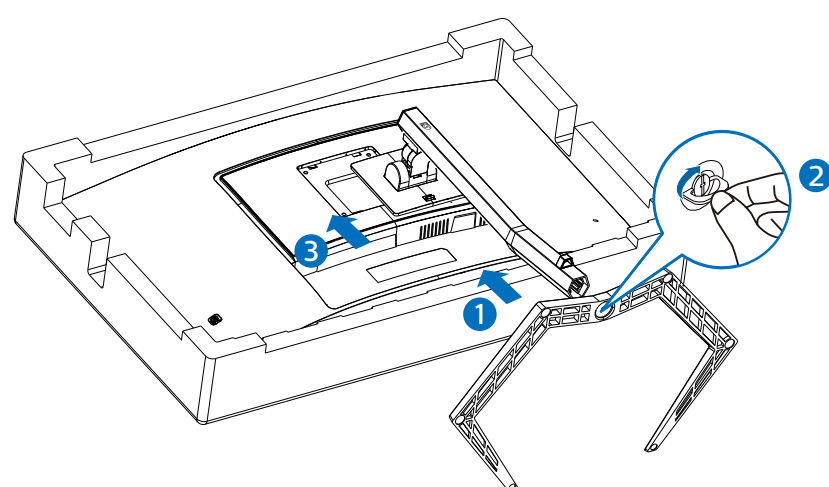
\*HDMI



\*DP

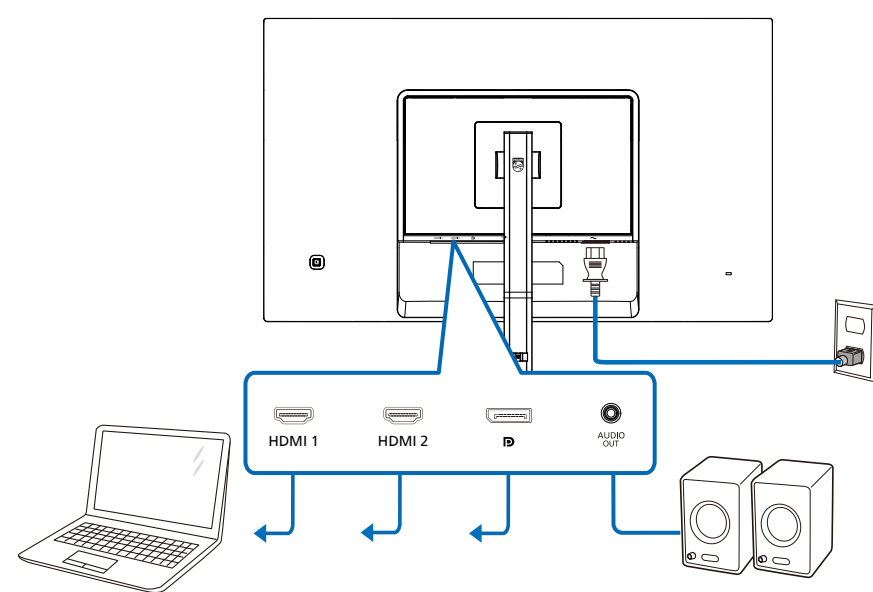
\*Different according to region  
Display design may differ from that illustrated

1

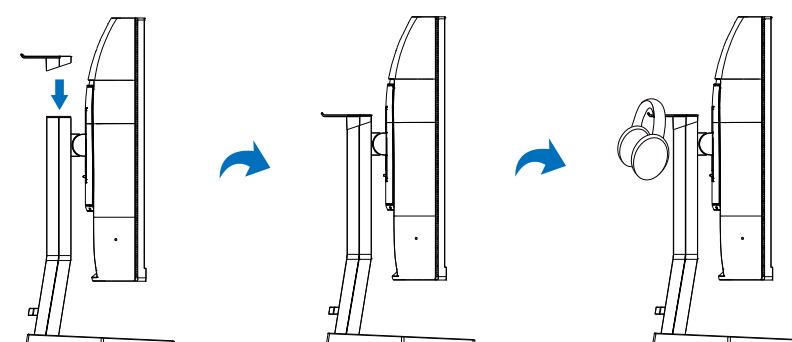


▲ CAUTION: Place the monitor face down on a smooth surface. Pay attention not to scratch or damage the screen.

2



Earphone-Hang



3

