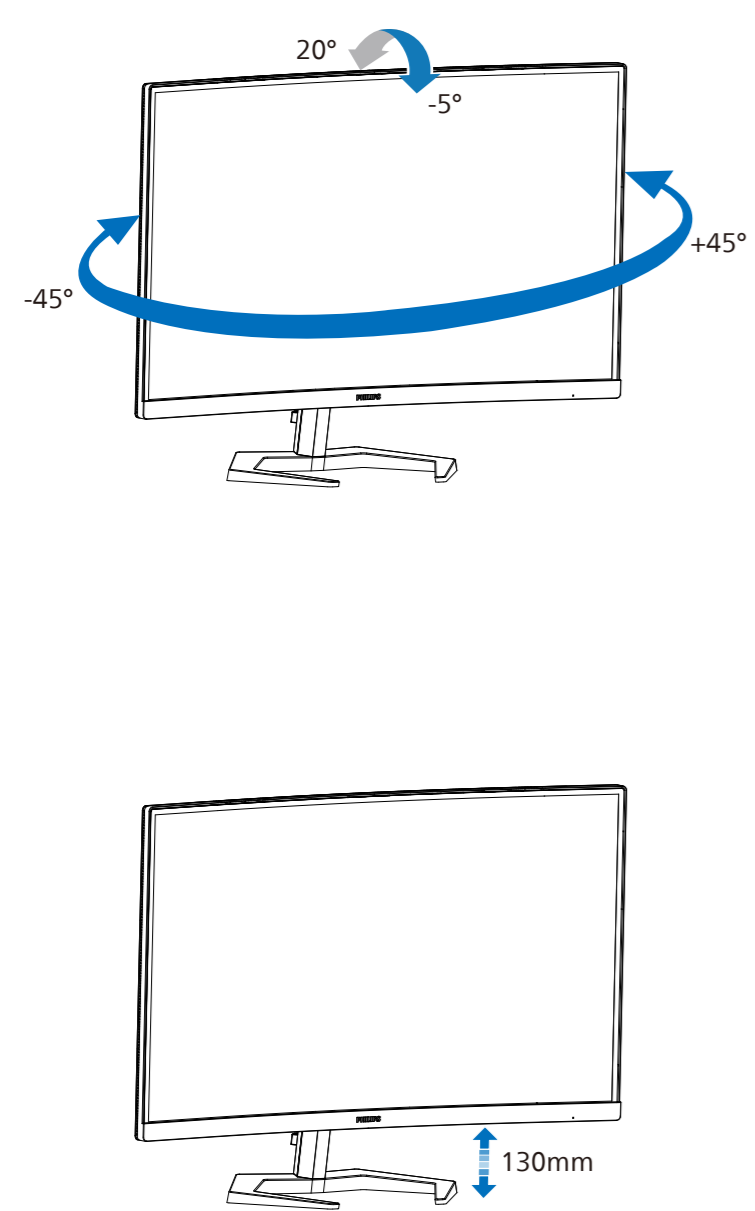


4



Register your product and get support at [www.philips.com/support](http://www.philips.com/support)



Version: 27M1C5200Q1T  
 2023 © TOP Victory Investments Ltd. All rights reserved.  
 This product has been manufactured by and is sold under the responsibility of Top Victory Investments Ltd., and Top Victory Investments Ltd. is the warrantor in relation to this product. Philips and the Philips Shield Emblem are registered trademarks of Koninklijke Philips N.V. and are used under license.

Specifications are subject to change without notice.

**HDMI**  
 The terms HDMI, HDMI High-Definition Multimedia Interface, HDMI Trade Dress and the HDMI Logos are trademarks or registered trademarks of HDMI Licensing Administrator, Inc.

[www.evnia.philips](http://www.evnia.philips)

Energy Labelling  
 27M1C5200W



Printed in China

EVNIA

# Quick start

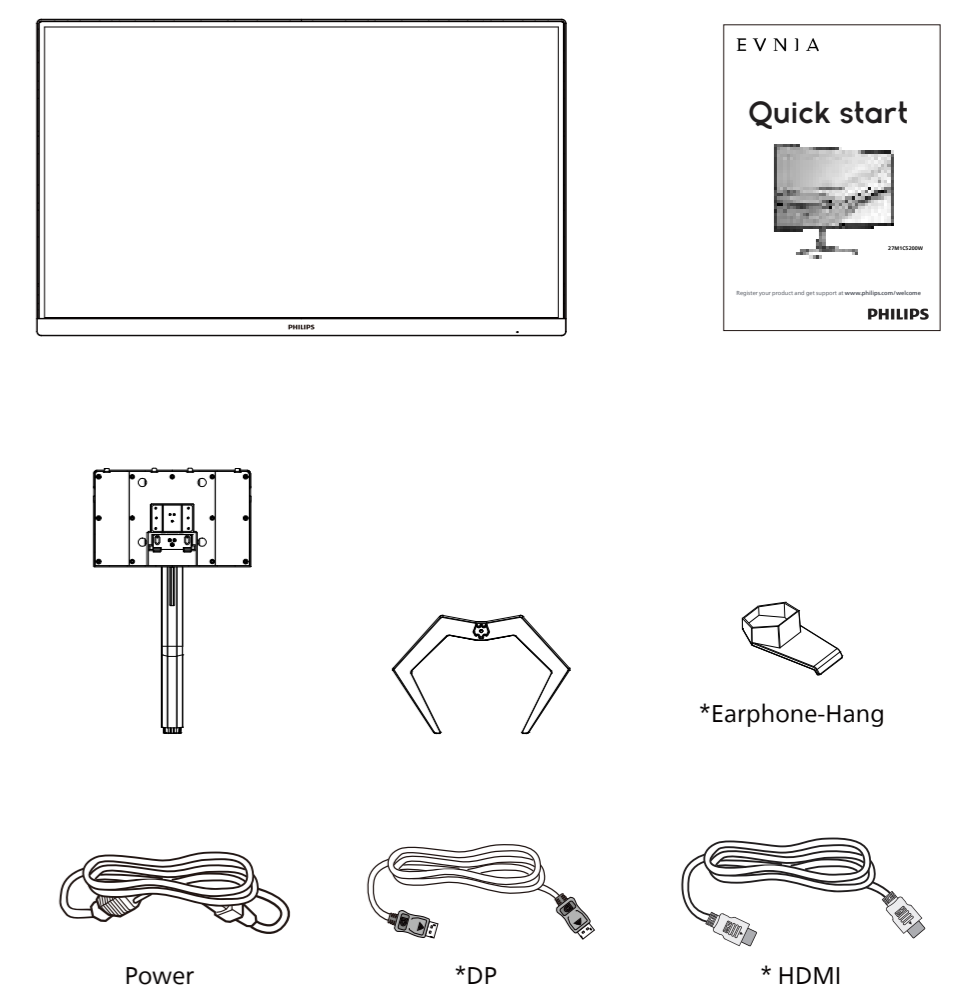


27M1C5200W

Register your product and get support at [www.philips.com/welcome](http://www.philips.com/welcome)

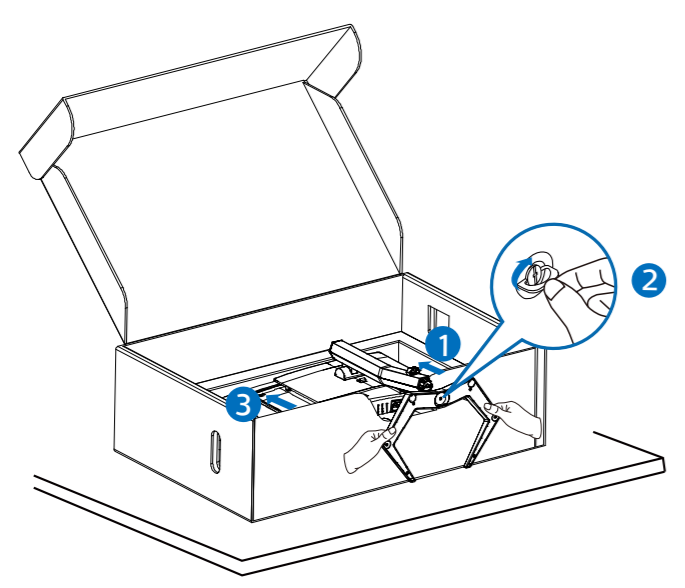
**PHILIPS**

## Contents



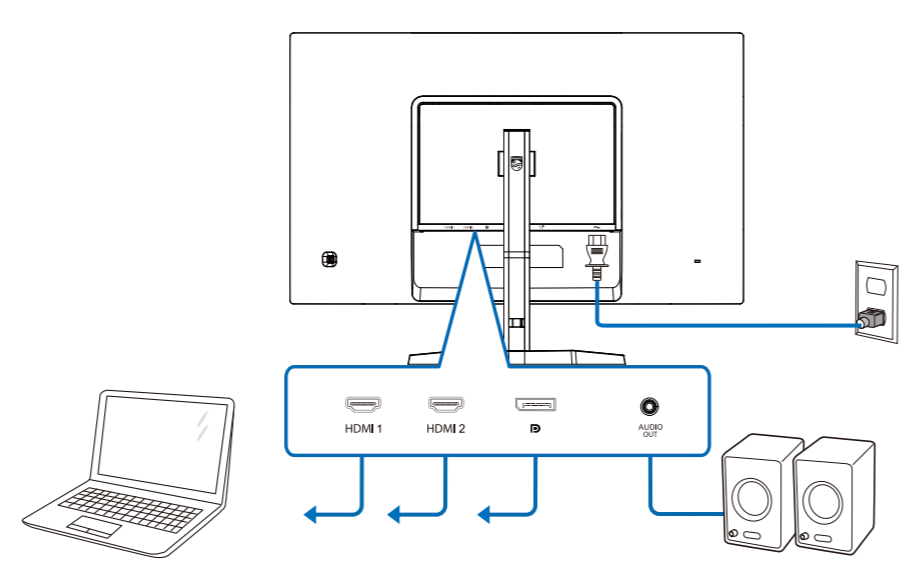
\*Different according to region  
 Display design may differ from that illustrated

1

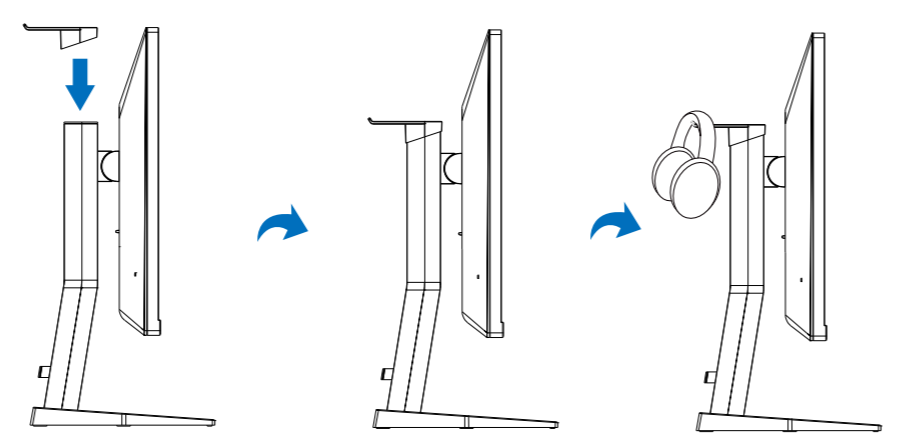


▲ CAUTION: Place the monitor face down on a smooth surface. Pay attention not to scratch or damage the screen.

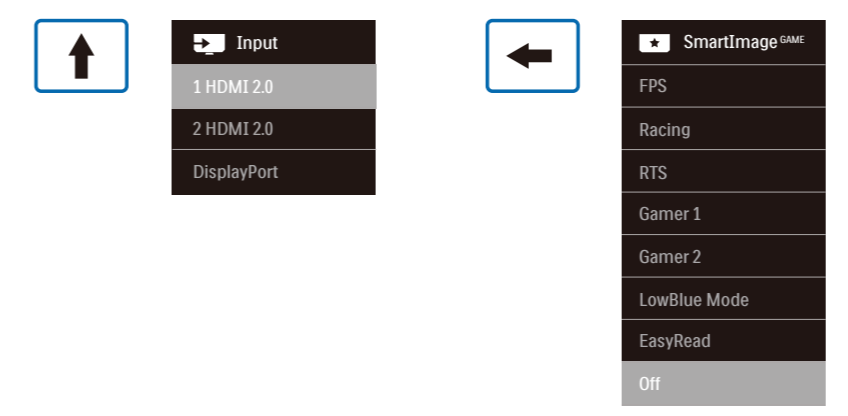
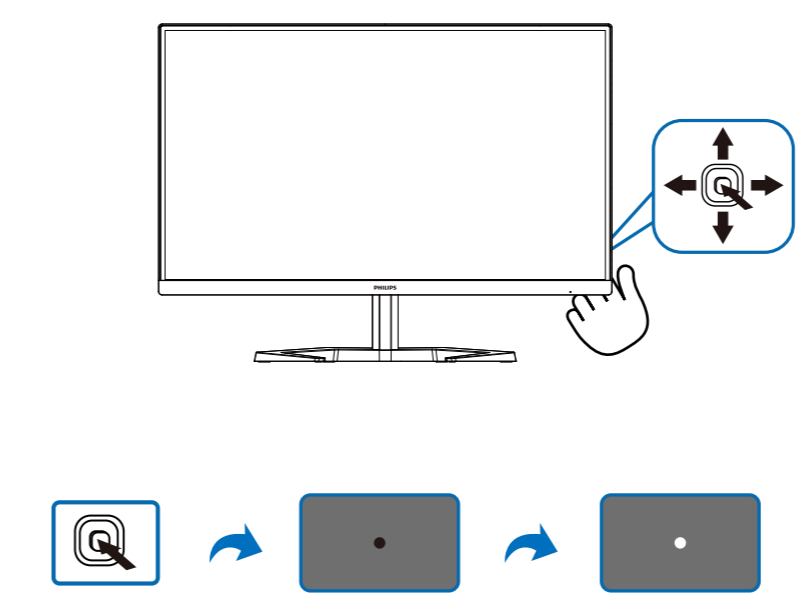
2



Earphone-Hang



3



Game Setting	Adaptive Sync	On
MPRT	MPRT Level	Off
LowBlue Mode	MPRT Level	0
Input	MPRT Sync	Off
Picture	Crosshair	Off
Smart Size	DarkBoost	Off
Audio	Low Input Lag	On
	SmartResponse	Off
	SmartFrame	Off

Game Setting	Adaptive Sync	On
MPRT	MPRT Level	Off
LowBlue Mode	MPRT Level	0
Input	MPRT Sync	Off
Picture	Crosshair	Off
Smart Size	DarkBoost	Off
Audio	Low Input Lag	On
	SmartResponse	Off
	SmartFrame	Off

Game Setting	Adaptive Sync	On
MPRT	MPRT Level	Off
LowBlue Mode	MPRT Level	0
Input	MPRT Sync	Off
Picture	Crosshair	Off
Smart Size	DarkBoost	Off
Audio	Low Input Lag	On
	SmartResponse	Off
	SmartFrame	Off