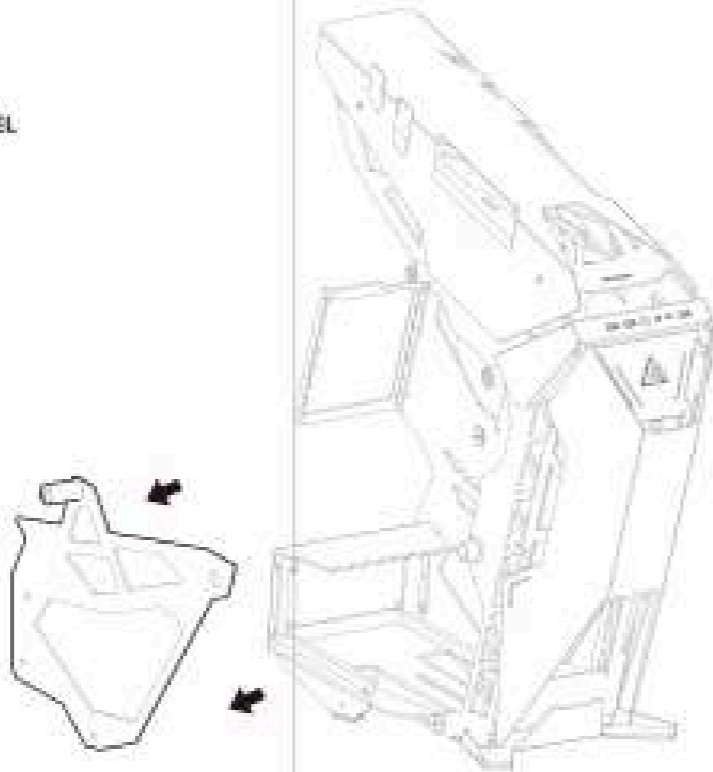


TORQUE

A NEW ANGLE OF INNOVATION

REMOVE SUPPORTING PANEL 拆卸支撑板

Install hardware
安装硬件



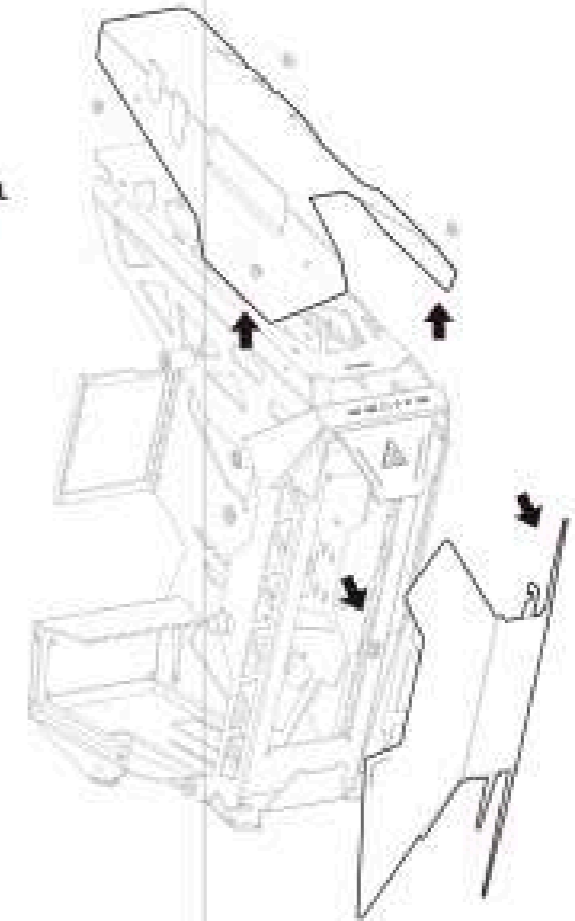
3

TORQUE

A NEW ANGLE OF INNOVATION

REMOVE TOP PANEL & FRONT PANEL 拆卸顶部面板及前面板

Install cooling radiator
安装散热器



4

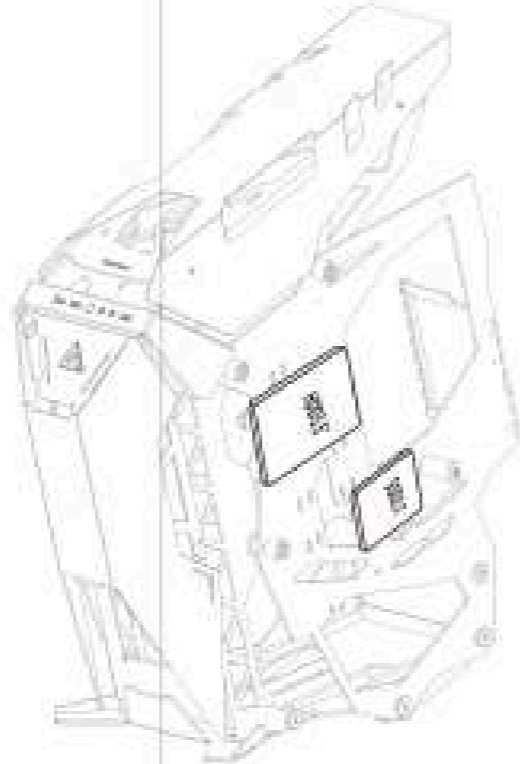
TORQUE

A NEW ANGLE OF INNOVATION

HARD DISK INSTALLATION 安装硬盘

Installing a 2.5" Solid State Drive
安装固态硬盘

Installing a 3.5" Hard Disk Drive
安装机械硬盘



5

General	
Form Factor	Mid Tower
Material	Aluminum
Side Panel Type	Tempered Glass
Access & Controls	USB 3.0 x 2, MIC/AUDIO, Power, Type-C USB 4
Dimensions	621 x 205 x 644 mm (DW16)

Compatibility & Clearances	
Motherboard Support	E-ATX (Up To 12" X 11") ATX, Micro-ATX, ITX
PSU Type	ATX12V (PS2)
Max GPU Length	≤ 450mm
Max GPU Cooler Height	≤ 215mm
Max Radiator (Front)	≤ 300mm
Max Radiator (Top)	≤ 300mm

Expansion Slots & Drive Bays	
Expansion Slots	7
2.5" / 3.5" (convertible)	4
2x"	1

Cooling	
Front	3 x 120mm
Top	3 x 120mm

接口/接口	
USB 3.0	4个
USB Type-C	2个 (前置/后置)
前置音频插孔	3个 (前置/后置)
前置音频插孔	2个 (前置/后置)
前置音频插孔	2个 (前置/后置)
前置音频插孔	2个 (前置/后置)
前置音频插孔	2个 (前置/后置)
前置音频插孔	2个 (前置/后置)

兼容性/兼容性	
主板支持	ATX, Micro-ATX, ITX
电源类型	ATX12V (PS2)
最大GPU长度	≤ 450mm
最大GPU散热器高度	≤ 215mm
最大散热器(前置)	≤ 300mm
最大散热器(顶部)	≤ 300mm

扩展槽/扩展槽	
扩展槽	7
2.5" / 3.5" (可转换)	4
2x"	1

散热	
前置	3 x 120mm
顶部	3 x 120mm

Antec
BELIEVE IT

www.POWERLITE.com/support

Antec, Inc., 47001 Lakeside Blvd, Fremont, CA 94538, US
All rights reserved. Specifications are subject to change without notice. Antec, the Antec logo and POWERLITE are trademarks of Antec Corporation. Other names and product names are trademarks of their respective owners. All other trademarks are the property of their respective owners.

© 2016 Antec, Inc. All rights reserved.