

E13863



ROG
SWIFT OLED
PG39WCDM
USER GUIDE

ASUS

First Edition
March, 2024

Copyright © 2024 ASUSTeK COMPUTER INC. All Rights Reserved.

No part of this manual, including the products and software described in it, may be reproduced, transmitted, transcribed, stored in a retrieval system, or translated into any language in any form or by any means, except documentation kept by the purchaser for backup purposes, without the express written permission of ASUSTeK COMPUTER INC. ("ASUS").

Product warranty or service will not be extended if: (1) the product is repaired, modified or altered, unless such repair, modification or alteration is authorized in writing by ASUS; or (2) the serial number of the product is defaced or missing.

ASUS PROVIDES THIS MANUAL "AS IS" WITHOUT WARRANTY OF ANY KIND, EITHER EXPRESS OR IMPLIED, INCLUDING BUT NOT LIMITED TO THE IMPLIED WARRANTIES OR CONDITIONS OF MERCHANTABILITY OR FITNESS FOR A PARTICULAR PURPOSE. IN NO EVENT SHALL ASUS, ITS DIRECTORS, OFFICERS, EMPLOYEES OR AGENTS BE LIABLE FOR ANY INDIRECT, SPECIAL, INCIDENTAL, OR CONSEQUENTIAL DAMAGES (INCLUDING DAMAGES FOR LOSS OF PROFITS, LOSS OF BUSINESS, LOSS OF USE OR DATA, INTERRUPTION OF BUSINESS AND THE LIKE), EVEN IF ASUS HAS BEEN ADVISED OF THE POSSIBILITY OF SUCH DAMAGES ARISING FROM ANY DEFECT OR ERROR IN THIS MANUAL OR PRODUCT.

SPECIFICATIONS AND INFORMATION CONTAINED IN THIS MANUAL ARE FURNISHED FOR INFORMATIONAL USE ONLY, AND ARE SUBJECT TO CHANGE AT ANY TIME WITHOUT NOTICE, AND SHOULD NOT BE CONSTRUED AS A COMMITMENT BY ASUS. ASUS ASSUMES NO RESPONSIBILITY OR LIABILITY FOR ANY ERRORS OR INACCURACIES THAT MAY APPEAR IN THIS MANUAL, INCLUDING THE PRODUCTS AND SOFTWARE DESCRIBED IN IT.

Products and corporate names appearing in this manual may or may not be registered trademarks or copyrights of their respective companies, and are used only for identification or explanation and to the owners' benefit, without intent to infringe.

Contents

Notices.....	iv
Safety information	v
Care & Cleaning	ix
1.1 Welcome	1-3
1.2 Package contents.....	1-3
1.3 Attaching the Stand	1-4
1.4 Connect cables	1-7
1.4.1 Rear of the OLED monitor	1-7
1.5 Monitor introduction	1-8
1.5.1 Using the Controls button	1-8
1.5.2 GameVisual Function	1-9
2.1 Adjusting the monitor.....	2-1
2.2 Outline dimension.....	2-2
2.3 Detaching the arm/stand (for VESA wall mount)	2-3
3.1 OSD (On-Screen Display) menu	3-1
3.1.1 How to reconfigure.....	3-1
3.1.2 OSD Function Introduction.....	3-2
3.2 Aura Sync	3-14
3.3 Specifications.....	3-15
3.4 Troubleshooting (FAQ).....	3-17
3.5 Supported Timing List.....	3-18

Notices

Federal Communications Commission Statement

This device complies with Part 15 of the FCC Rules. Operation is subject to the following two conditions:

- This device may not cause harmful interference.
- This device must accept any interference received including interference that may cause undesired operation.

This equipment has been tested and found to comply with the limits for a Class B digital device, pursuant to Part 15 of the FCC Rules. These limits are designed to provide reasonable protection against harmful interference in a residential installation. This equipment generates, uses and can radiate radio frequency energy and, if not installed and used in accordance with the instructions, may cause harmful interference to radio communications. However, there is no guarantee that interference will not occur in a particular installation. If this equipment does cause harmful interference to radio or television reception, which can be determined by turning the equipment off and on, the user is encouraged to try to correct the interference by one or more of the following measures:

- Reorient or relocate the receiving antenna.
- Increase the separation between the equipment and receiver.
- Connect the equipment to an outlet on a circuit different from that to which the receiver is connected.
- Consult the dealer or an experienced radio/TV technician for help.



The use of shielded cables for connection of the monitor to the graphics card is required to assure compliance with FCC regulations. Changes or modifications to this unit not expressly approved by the party responsible for compliance could void the user's authority to operate this equipment.

Declaration of Conformity This device complies with the requirements set out in the Council Directive on the Approximation of the Laws of the Member States relating to Electromagnetic Compatibility (2014/30/EU), Low-voltage Directive (2014/35/EU), ErP Directive (2009/125/EC) and RoHS directive (2011/65/EU). This product has been tested and found to comply with the harmonized standards for Information Technology Equipment, these harmonized standards published under Directives of Official Journal of the European Union.

Canadian Department of Communications Statement

This digital apparatus does not exceed the Class B limits for radio noise emissions from digital apparatus set out in the Radio Interference Regulations of the Canadian Department of Communications.

This class B digital apparatus complies with Canadian ICES-003.

This Class B digital apparatus meets all requirements of the Canadian Interference-Causing Equipment Regulations.

Cet appareil numérique de la classe B respecte toutes les exigences du Règlement sur le matériel brouiller du Canada.

This marking or statement shall include the following or similar text:

CAUTION

RISK OF EXPLOSION IF BATTERY IS REPLACED BY AN INCORRECT TYPE.

DISPOSE OF USED BATTERIES ACCORDING TO THE INSTRUCTIONS

Caution

Replacement of a battery with an incorrect type that can be defeat a safeguard

Disposal of a battery into fire or a hot oven, or mechanically crushing or cutting of a battery, that can result in an explosion

Leaving a battery in an extremely high temperature surrounding environment that can result in an explosion or the leakage of flammable liquid or gas

A battery subjected to extremely low air pressure that may result in an explosion or the leakage of flammable liquid or gas.

Safety information

- Before setting up the monitor, carefully read all the documentation that came with the package.
- To prevent fire or shock hazard, never expose the monitor to rain or moisture.
- Never try to open the monitor cabinet. The dangerous high voltages inside the monitor may result in serious physical injury.
- If the power supply is broken, do not try to fix it by yourself. Contact a qualified service technician or your retailer.
- Before using the product, make sure all cables are correctly connected and the power cables are not damaged. If you detect any damage, contact your dealer immediately.

- Slots and openings on the back or top of the cabinet are provided for ventilation. Do not block these slots. Never place this product near or over a radiator or heat source unless proper ventilation is provided.
- The monitor should be operated only from the type of power source indicated on the label. If you are not sure of the type of power supply to your home, consult your dealer or local power company.
- Use the appropriate power plug which complies with your local power standard.
- Do not overload power strips and extension cords. Overloading can result in fire or electric shock.
- Avoid dust, humidity, and temperature extremes. Do not place the monitor in any area where it may become wet. Place the monitor on a stable surface.
- Unplug the unit during a lightning storm or if it will not be used for a long period of time. This will protect the monitor from damage due to power surges.
- Never push objects or spill liquid of any kind into the slots on the monitor cabinet.
- To ensure satisfactory operation, use the monitor only with cTUVus listed computers which have appropriate configured receptacles marked between 100 ~ 240V AC.
- The socket-outlet shall be installed near the equipment and shall be easily accessible
- If you encounter technical problems with the monitor, contact a qualified servicer.
- Provide an earthing connection before the mains plug is connected to the mains. And, when disconnecting the earthing connection, be sure to disconnect after pulling out the mains plug from the mains.
- Please confirm the distribution system in building installation shall provide the circuit breaker rated 120/240V, 20A (maximum).
- If provided with a 3-pin attachment plug on the power cord, plug the cord into a grounded (earthed) 3-pin outlet. Do not disable the power cord grounding pin, for example, by attaching a 2-pin adapter. The grounding pin is an important safety feature.

WARNING

Usage of other than specified head- or earphones can result in hearing loss due to excessive sound pressures.

Stability Hazard.

The product may fall, causing serious personal injury or death. To prevent injury, this product must be securely attached to the floor/wall in accordance with the installation instructions.

A product may fall, causing serious personal injury or death. Many injuries, particularly to children, can be avoided by taking simple precautions such as:

ALWAYS use cabinets or stands or installation methods recommended by the manufacturer of the product set.

ALWAYS use furniture that can safely support the product.

ALWAYS ensure the product is not overhanging the edge of the supporting furniture.

ALWAYS educate children about the dangers of climbing on furniture to reach the product or its controls.

ALWAYS route cords and cables connected to your product so they cannot be tripped over, pulled or grabbed.

NEVER place a product in an unstable location.

NEVER place the product on tall furniture (for example, cupboards or bookcases) without anchoring both the furniture and the product to a suitable support.

NEVER place the product on cloth or other materials that may be located between the product and supporting furniture.

NEVER place items that might tempt children to climb, such as toys and remote controls, on the top of the product or furniture on which the product is placed.

If the existing product is going to be retained and relocated, the same considerations as above should be applied.

Restriction on Hazardous Substances statement (India)

This product complies with the "India E-Waste (Management) Rules, 2016" and prohibits use of Lead, Mercury, Hexavalent Chromium, polybrominated biphenyls(PBBs) and polybrominated diphenyl ethers(PBDEs) in concentration exceeding 0.1% by weight in homogenous materials and 0.01% by weight in homogenous materials for cadmium, except of exemptions listed in Schedule 2 of the Rule.





Disposal of waste equipment by user in private household in the European Union

This symbol on the product or on its packaging indicates that this product must not be disposed of with your other household waste. Instead, it is your responsibility to dispose of your waste equipment by handing it over to a designated collection point for the recycling of waste electrical and electronic equipment. The separate collection and recycling of your waste equipment at the time of disposal will help to conserve natural resources and ensure that it is recycled in a manner that protects human health and the environment. For more information about where you can drop off your waste equipment for recycling, please contact your local city office, your household waste disposal service or the shop where you purchased the product.

The Monitor uses low blue light panel and compliance with TÜV Rheinland Low Blue Light Hardware Solution at factory reset/default setting mode.

TÜV Rheinland Flicker Free Certification.

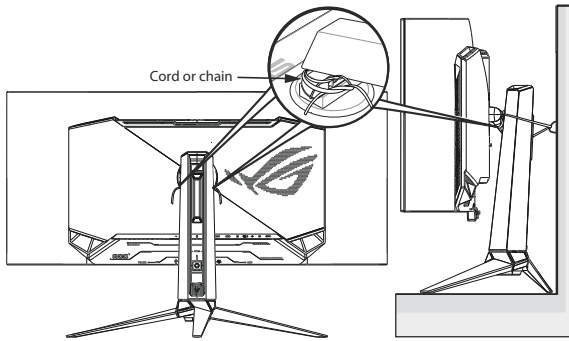
This product to ascertain whether the display produces visible and invisible flicker for the human eye and therefore strains the eyes of users.

ASUS CONTACT INFORMATION

<ul style="list-style-type: none"> ■ ASUSTeK Computer Inc. Address 1F, No.15, Lide Rd., Beitou Dist., Taipei City, 112 Telephone +886-2-2894-3447 Fax +886-2-2894-7798 E-mail info@asus.com.tw Website http://www.asus.com.tw/ 	<ul style="list-style-type: none"> ■ ASUS Computer International (America) Address 48720 Kato Rd, Fremont, CA 94538, USA Telephone +1-510-739-3777 Fax +1-510-608-4555 Website http://usa.asus.com/ 	<ul style="list-style-type: none"> ■ ASUS Computer GmbH (Germany and Austria) Address Harkortstr. 21-23 D-40880 Ratingen, Germany Telephone +49-1805-010920 Website http://www.asus.de/ Online Contact http://www.asus.de/sales
<ul style="list-style-type: none"> ■ Technical Support Telephone +86-21-38429911 	<ul style="list-style-type: none"> ■ Technical Support Telephone +1-812-282-2787 (English Only) +1-905-370-2787 (French Only) Online Support http://support.asus.com/ 	<ul style="list-style-type: none"> ■ Technical Support Telephone +49-1805-010923 Support Fax +49-2102-959911 Online Support http://support.asus.com/

Prevent Tipping

When using the display, fasten the OLED to a wall using a cord or chain that can support the weight of the monitor in order to prevent the monitor from falling.



- Display design may differ from those illustrated.
- Installing must be done by a qualified technician , and please contact your supplier for more information.
- For the Models with net weight ≥ 7 kg. Please select the suitable way to Prevent Tipping.
- Please use the method above to tie the cord or chain to the stand and then fix it to the wall.

Care & Cleaning

- Before you lift or reposition your monitor, it is better to disconnect the cables and power cord. Follow the correct lifting techniques when positioning the monitor. When lifting or carrying the monitor, grasp the edges of the monitor. Do not lift the display by the stand or the cord.
- Cleaning. Turn your monitor off and unplug the power cord. Clean the monitor surface with a lint-free, non-abrasive cloth. Stubborn stains may be removed with a cloth dampened with mild cleaner.
- Avoid using a cleaner containing alcohol or acetone. Use a cleaner intended for use with the OLED. Never spray cleaner directly on the screen, as it may drip inside the monitor and cause an electric shock.



This symbol of the crossed out wheeled bin indicates that the product (electrical, electronic equipment, and mercury-containing button cell battery) should not be placed in municipal waste.

Please check local regulations for disposal of electronic products.

AEEE yönetmeliğine uygundur

The following symptoms are normal with the monitor:

- The screen may flicker during the initial use due to the nature of the fluorescent light. Turn off the Power Switch and turn it on again to make sure that the flicker disappears.
- You may find slightly uneven brightness on the screen depending on the desktop pattern you use.
- When the same image is displayed for hours, an afterimage of the previous screen may remain after switching the image. The screen will recover slowly or you can turn off the Power Switch for hours.
- When the screen becomes black or flashes, or cannot work anymore, contact your dealer or service center to fix it. Do not repair the screen by yourself!

Conventions used in this guide



WARNING: Information to prevent injury to yourself when trying to complete a task.



CAUTION: Information to prevent damage to the components when trying to complete a task.



IMPORTANT: Information that you **MUST** follow to complete a task.



NOTE: Tips and additional information to aid in completing a task.

Where to find more information

Refer to the following sources for additional information and for product and software updates.

1. ASUS websites

The ASUS websites worldwide provide updated information on ASUS hardware and software products. Refer to **<http://www.asus.com>**

2. Optional documentation

Your product package may include optional documentation that may have been added by your dealer. These documents are not part of the standard package.

Takeback Services

ASUS recycling and takeback programs come from our commitment to the highest standards for protecting our environment. We believe in providing solutions for our customers to be able to responsibly recycle our products, batteries and other components as well as the packaging materials.

Please go to <http://csr.asus.com/english/Takeback.htm> for detail recycling information in different region.

Product information for EU energy label



1.1 Welcome

Thank you for purchasing the ASUS® OLED Gaming monitor!

The latest widescreen OLED monitor from ASUS provides a crisper, broader, and brighter display, plus a host of features that enhance your viewing experience.

With these features, you can enjoy the convenience and delightful visual experience that the monitor brings to you!

1.2 Package contents

Check your package for the following items:

- ✔ OLED Monitor
- ✔ Monitor Stand
- ✔ Monitor Base
- ✔ Replaceable Acrylic LED light covers
(two in ROG patterns and three customizable covers)
- ✔ Quick Start Guide
- ✔ Warranty Card
- ✔ Power Cord
- ✔ HDMI Cable
- ✔ DP Cable
- ✔ USB Type-C Cable
- ✔ USB Cable
- ✔ ROG wall mount kit
- ✔ ROG Pouch
- ✔ ROG sticker
- ✔ Color Calibration Testing Report



-
- If any of the above items is damaged or missing, contact your retailer immediately.
-

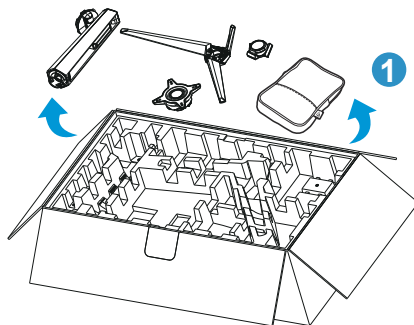
1.3 Attaching the Stand

To assemble the monitor:

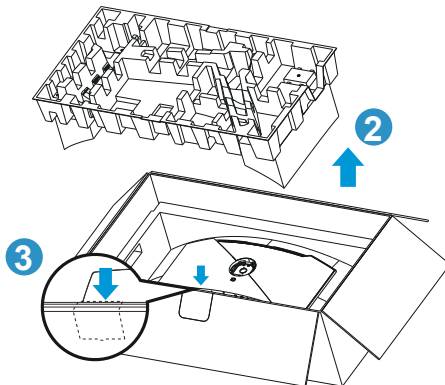


- While assembling the monitor stand/base, we recommend that you keep the monitor inside its EPS (Expanded Polystyrene) packaging.
-

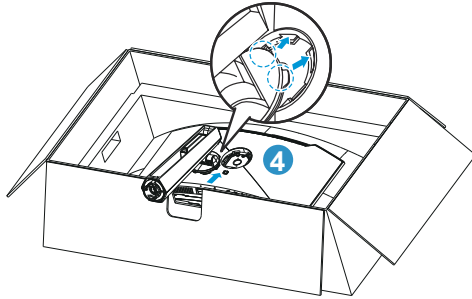
1. Take out all accessories from the molded pulp.



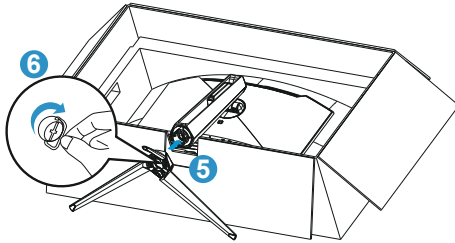
2. Take out the molded pulp.
3. Push open stand assembly hole.



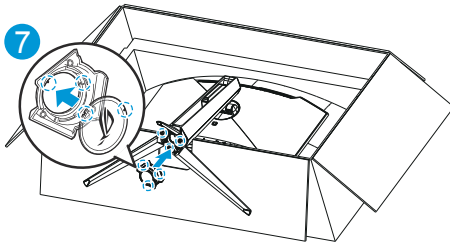
4. Align and install the stand to its compartment on the rear of the monitor.



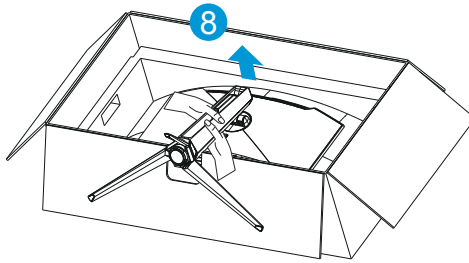
5. Align and install the base to the stand.
6. Fix the base to the stand by fastening the bundled screw.



7. By aligning with the magnetic pads, install the LED projection cover to the stand.



8. Remove the monitor from the bottom EPS.

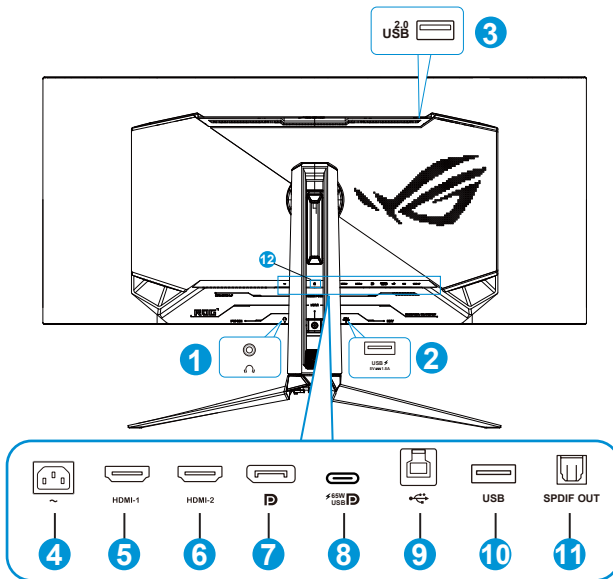


-
- Please do not hold the panel. We recommend hold the monitor stand to pick up monitor.
 - Base screw size is M5 x 25 mm.
-

Adjust the monitor to the angle that is most comfortable for you.

1.4 Connect cables

1.4.1 Rear of the OLED monitor

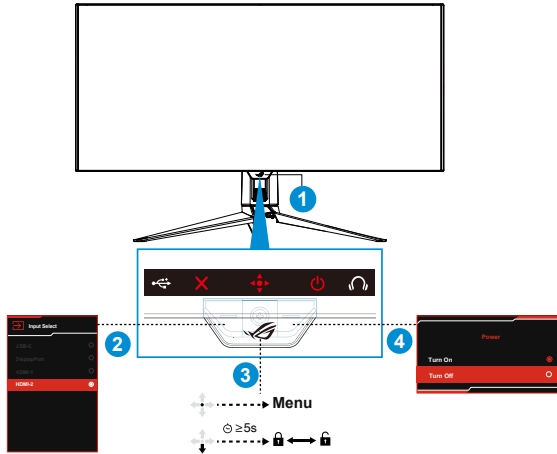


1. Earphone Out Port
2. USB 3.2 Gen 1 Type-A Port
3. USB 2.0 Type A Port
4. AC-IN Port
5. HDMI-1 Port
6. HDMI-2 Port
7. DisplayPort
8. USB Type-C Port
9. USB 3.2 Gen 1 Type-B Port
10. USB 3.2 Gen 1 Type-A Port
11. SPDIF OUT Port
12. Kensington Lock

1.5 Monitor introduction




1.5.1 Using the Controls button

Use the control buttons on the rear of the monitor to adjust the monitor settings.



1. Power Indicator:
The color definition of the power indicator is as the below table.

Status	Description
Red	ON
Amber	Standby mode
OFF	OFF

2.  Input Select / Close Button:
 - Press to activate the **Input Select** hotkey. In the OSD menu, press to exit the OSD menu.
3.  (5-way) Button:
 - Press this button to turn on the OSD menu.
 - Increases/Decreases values or moves your selection up/down/left/right
4.  Power Button:
 - Press this button to turn the monitor off. Press any key to turn on the monitor.





- To change the hotkey function, go to the MyFavorite >Shortcut menu.

1.5.2 GameVisual Function

The GameVisual function helps you select among different picture modes in a convenient way.

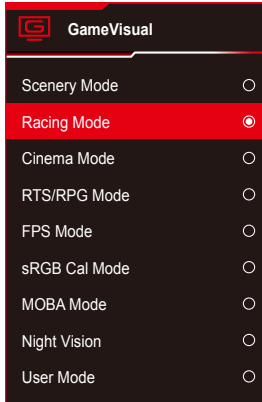
To activate GameVisual:

1. Press the GameVisual hotkey. By default, the  button up is set as GameVisual hotkey.
To change the hotkey function, go to the **MyFavorite > Shortcut** menu.
2. Move the  button up/down to select among different modes.
 - **Scenery Mode:** This is the best choice for scenery photo or movie displaying with GameVisual™ Video intelligence Technology.
 - **Racing Mode:** This is the best choice for racing game playing with GameVisual™ Video intelligence Technology and for document editing. In this mode is applied reduced input lag (by pass FRC).
 - **Cinema Mode:** This is the best choice for generic movie watching and movie watching with GameVisual™ Video intelligence Technology.
 - **RTS/RPG Mode:** This is the best choice for generic game playing and Real-Time Strategy (RTS)/ Role-Playing Game (RPG) playing with GameVisual™ Video intelligence Technology.
 - **FPS Mode:** This is the best choice for dark scenery game playing, movie watching, and First Person Shooter game playing with GameVisual™ Video intelligence Technology.
 - **sRGB Cal Mode:** This is the best choice for viewing photos and graphics from PCs.
 - **MOBA Mode:** This is the best choice for Multiplayer Online Battle Arena (MOBA) games playing with GameVisual™ Video intelligence Technology.
 - **Night Vision :** This is the best choice for dark scenery playing with GameVisual™ Video intelligence Technology.

- **User Mode:** More items are adjustable in the Color menu.



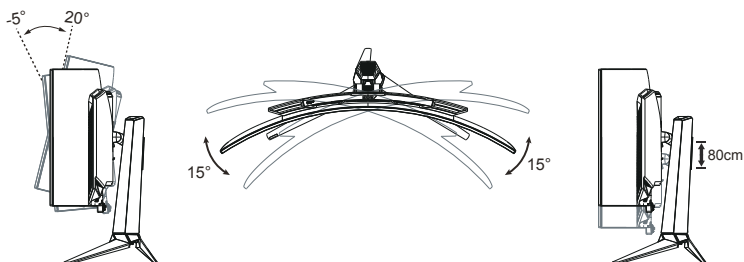
- In the Racing Mode, the Saturation and Sharpness functions are not userconfigurable.
- In the sRGB, the Saturation, Color Temp., Contrast functions are not user-configurable.
- In the MOBA Mode, the Saturation function is not user-configurable.



3. Press the button to confirm the selection.

2.1 Adjusting the monitor

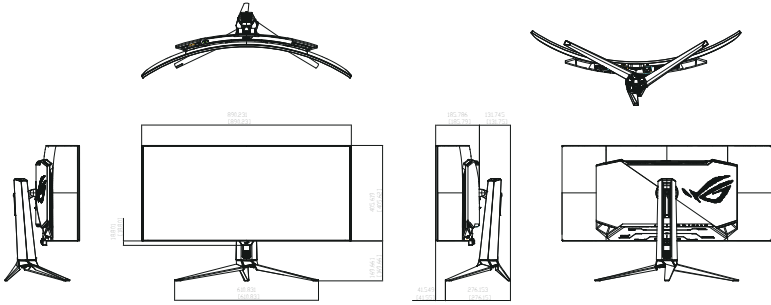
- For optimal viewing, we recommend that you look at the full face of the monitor, then adjust the monitor to the angle that is most comfortable for you.
- Hold the stand to prevent the monitor from falling when you change its angle.
- You can adjust the monitor's angle from -5° to 20° and it allows 15° swivel adjustment from either left or right. You can also adjust the monitor's height within ± 80 cm.



It is normal that the monitor slightly shakes while you adjust the viewing angle.

2.2 Outline dimension

Unit: mm



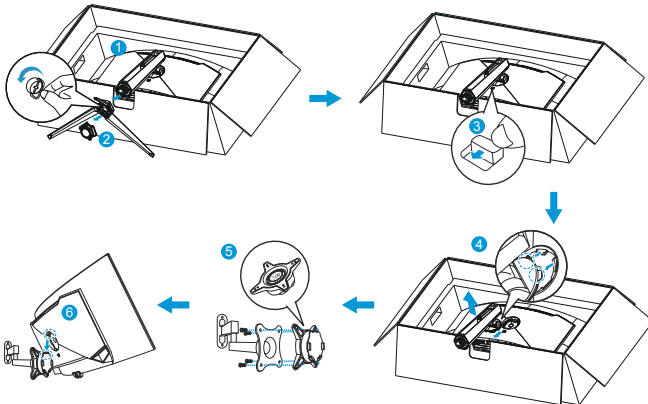
2.3 Detaching the arm/stand (for VESA wall mount)



- Avoid damaging the monitor surface. While detaching the monitor stand, always keep the monitor inside its EPS packaging.

The detachable stand of this monitor is specially designed for VESA wall mount.

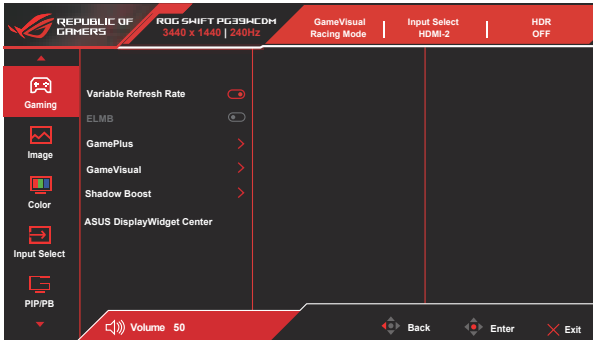
1. Disconnect power and signal cables. Carefully put the monitor facedown on its EPS packaging.
2. Remove the LED projection cover. Then release the bundled screw and remove the base from the stand.
3. Press the release button to detach the stand from the monitor.
4. Remove the stand.
5. Attach the ROG wall mount kit to the wall mounting bracket.
6. Then install the monitor to the wall mount.



- The VESA wall mount kit (100 x 100 mm).
- Use only the UL Listed Wall Mount Bracket with minimum weight/load 28.8 kg (Screw size: M4 x 10 mm).

3.1 OSD (On-Screen Display) menu

3.1.1 How to reconfigure

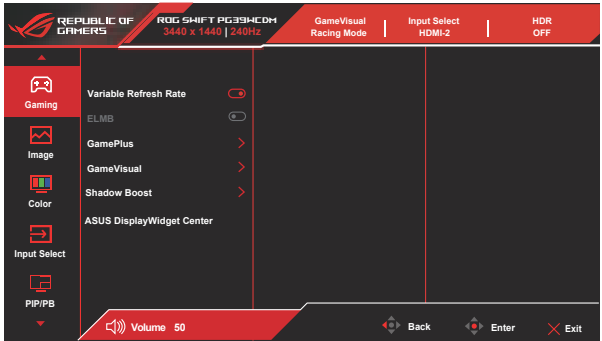


1. Press the Enter button to activate the OSD menu.
2. Move the Navigation button up/down to navigate through the functions. Highlight the desired function and press the Enter button to activate it. If the function selected has a sub-menu, move the Navigation button up/down again to navigate through the sub-menu functions. Highlight the desired sub-menu function and press the Enter button or move the Navigation button right to activate it.
3. Move the Navigation button up/down to change the settings of the selected function.
4. To exit and save the OSD menu, move the Navigation button left repeatedly until the OSD menu disappears. To adjust other functions, repeat steps 1 to 3.

3.1.2 OSD Function Introduction

1. Gaming

Configure your gaming preferences.



- **Variable Refresh Rate:** Allow an Adaptive-Sync supported graphics source to dynamically adjust display refresh rate based on typical content frame rates for power efficient, virtually stutter free and low-latency display update.



- Variable Refresh Rate can only be activated within 40Hz ~240Hz for both HDMI and DisplayPort sources.
- In Power saving mode, the default VRR is 60Hz.
- The following functions will be disabled when Variable Refresh Rate is turned on:
 - PIP/PBP
 - ELMB
 - Aspect Control

- **ELMB:** Check to decrease motion blur and minimize ghosting part when on-screen objects are fast moving. ELMB is disabled if input V frequency less than 85Hz.



- To activate ELMB, turn off Variable Refresh Rate function first.
- ELMB works on vertical frequency 120Hz.
- The following functions will be disabled when ELMB is turned on:
 - Variable Refresh Rate
 - Blue Light Filter
 - Aspect Control
 - PIP/PBP

- **GamePlus:** The GamePlus Function provides a toolkit and creates a better gaming environment for users when playing different types of games. Particularly, Crosshair function is specially designed for new gamers or beginners interested in First Person Shooter (FPS) games. Contains FPS Counter, Crosshair, Sniper, Sniper Night Vision, Timer, Stopwatch, and Display Alignment functions for players to choose.
- **GameVisual:** This function contains to switch from nine video preset modes (Scenery Mode, Racing Mode, Cinema Mode, RTS/RPG Mode, FPS Mode, sRGB Mode, MOBA Mode, Night Vision, User Mode) that you can select for your preference.

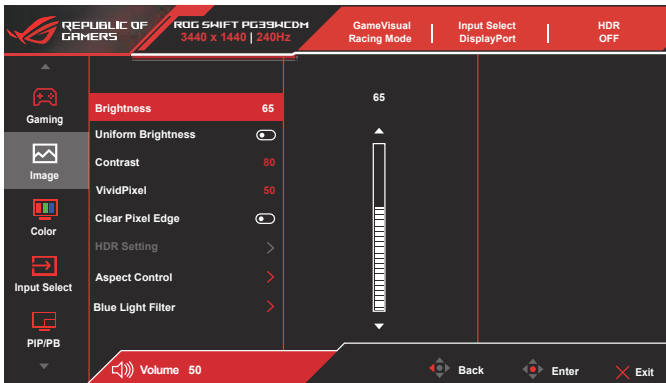


- The following function will be disabled:
– HDR

- **Shadow Boost:** Adjust the monitor gamma curve to enrich the dark tones in an image, making dark scenes and objects much easier to be seen.
- **ASUS DisplayWidget Center:** Down load ASUS DisplayWidget Center by QR code.

2. Image

Configure the image settings.



- **Brightness:** Adjust the brightness level.
- **Uniform Brightness:** With the feature enabled, the system will not adjust the maximum brightness of the screen when the screen is displayed in a different screen size.
- **Contrast:** Adjust the contrast level.

- **VividPixel:** Enhance the outline of the displayed picture and generates high-quality images on screen.
- **Clear Pixel Edge:** Effectively reduces color fringing on the edges of the displayed image
- **HDR Setting:** Set the HDR mode to Gaming HDR, Cinema HDR, or Console HDR. The HDR brightness can be adjusted when the Brightness Adjustable function is enabled.



-
- When displaying HDR content, the following functions are not available: GameVisual, Shadow Boost, Brightness, Contrast, Aspect Control, Blue Light Filter, Color Temp., Gamma, Saturation.
 - The following functions will be disabled when HDR is turned on:
 - ELMB
 - PIP/PBP
 - GameVisual
 - Contrast
 - Blue Light Filter
 - Color Temp.
 - Gamma
 - Saturation
 - Power Saving
 - Display Color Space
 - Six-Saturation
 - Aspect Control
 - Sniper
 - Sniper Night Version
 - HDR PQ curve will be affected when the brightness adjustment is ON under HDR mode.:

-
- **Aspect Control:** Adjust the aspect ratio to **16:9, Square or 21:9** to enjoy different gaming scenario.



-
- Select **Square** to display the picture according to the original aspect ratio of the input source.
 - The following functions will be disabled when Aspect Control is turned on:
 - Variable Refresh Rate
 - PIP/PBP
 - ELMB
-

- **Blue Light Filter:** Reduce the energy level of blue light emitted from the LED backlight.
 - **OFF:** No change.
 - **Level 1~4:** The higher the level, the less blue light is scattered. When Blue Light Filter is activated, the default settings of Racing Mode will be automatically imported. Between Level 1 to Level 3, the Brightness function is user-configurable. Level 4 is optimized setting. The Brightness function is not user-configurable.



- The Monitor uses low blue light panel and compliance with TÜV Rheinland Low Blue Light Hardware Solution at factory reset/default setting mode (Brightness: 90%, Contrast: 80%, CCT: 6500K, Preset mode: Racing mode, Power Setting: YES).



- When the user adjusts blue light filter bar to maximum level.

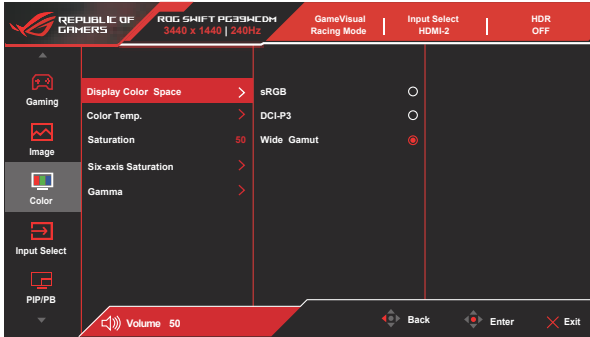


Please refer to the following to alleviate eye strains:

- Users should take some time away from the display if working for long hours. It is advised to take short breaks (at least 5 mins) after around 1 hour of continuous working at the computer. Taking short and frequent breaks is more effective than a single longer break.
 - To minimize eye strain and dryness in your eyes, users should rest the eye periodically by focusing on objects that are far away.
 - Eye exercises can help to reduce eye strain. Repeat these exercises often. If eye strain continues please consult a physician. Eye exercises: (1) Repeating look up and down (2) Slowly roll your eyes (3) Move your eyes diagonal.
 - High energy blue light may lead to eye strain and AMD (Age-Related Macular Degeneration). Blue light filter to reduce 70% (max.) harmful blue light to avoid CVS (Computer Vision Syndrome)
 - The following functions will be disabled when Blue Light Filter is turned on:
 - ELMB
-

3. Color

Select the image color you like from this function.



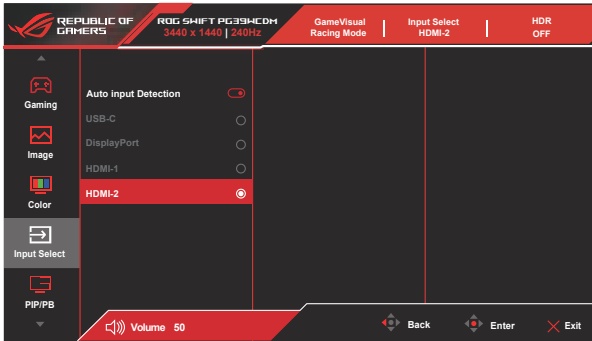
- **Display Color Space:** Select color space to sRGB, DCI-P3 and Wide Gamut.
- **Color Temp.:** Contains seven preset color modes (**4000K, 5000K, 6500K, 7500K, 8200K, 9300K, 10000K**) and **User Mode**.
- **Saturation:** The adjusting range is from 0 to 100.
- **Six-axis Saturation:** Set R/G/B/C/M/Y saturation. The range is from 0 to 100.
- **Gamma:** Contains three gamma modes including 1.8, 2.0, 2.2, 2.4, 2.6.



- In the User Mode, colors of R (Red), G (Green), and B (Blue) are user-configurable; the adjusting range is from 0 ~ 100.

4. Input Select

Select your desired input source and toggle the Auto Input Detection function between on and off. The monitor input source will not automatically switch when the Auto Input Detection function is disabled.

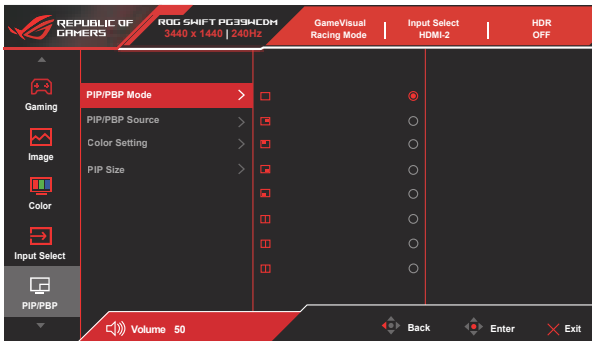


5. PIP/PBP Setup

Configure the multi-picture related settings.

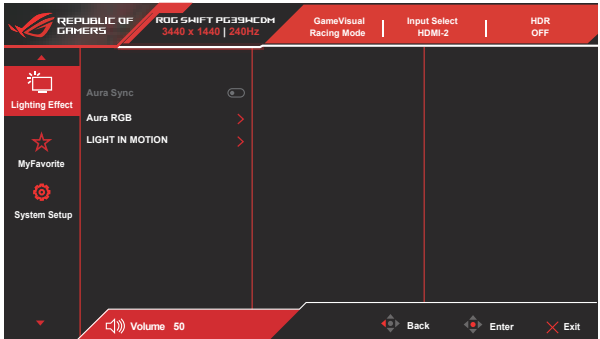


- When PIP/PBP mode is turned on, the following OSD message is displayed:
 - PIP/PBP mode can't support HDR function.
- The following functions will be disabled when PIP/PBP mode is turned on:
 - Variable Refresh Rate
 - Aspect Control
 - ELMB
 - DSC Support



- **PIP/PBP Mode:** Select PIP, PBP or turn it off.
- **PIP/PBP Source:** Selects the video input source among, USB-C, DisplayPort, HDMI-1, HDMI-2.
- **Color Setting:** Set GameVisual mode for each PIP/PBP window.
- **PIP Size:** Adjust the PIP size to “Small”, “Middle”, or “Large”.

6. Lighting Effect



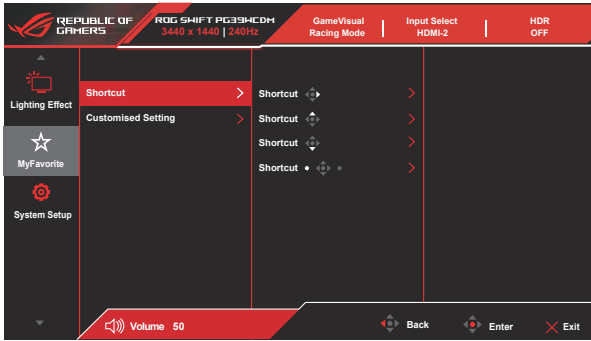
- **Aura Sync:** Allows you to turn on or off the Aura Sync function that synchronizes the Aura RGB light effect among all supported devices.
- **Aura RGB:** In this function you can select an Aura RGB light effect for the monitor and change settings for the light effect. Select “OFF” if you want to turn the Aura RGB light effect off.
- **LIGHT IN MOTION:** Selects the brightness level of the light on the stand. The adjusting range is from Level 1 ~ Level 3 and OFF.



- If the Aura Sync function is turned ON, the Aura RGB function will become unavailable.

7. MyFavorite

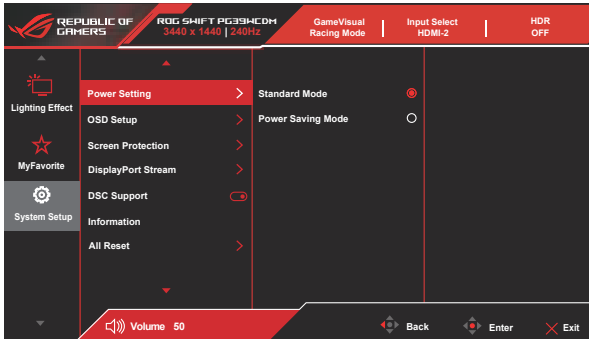
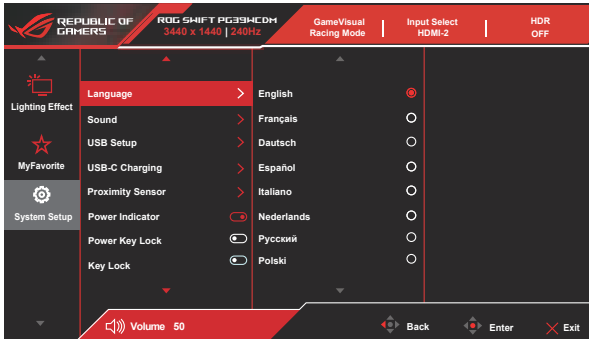
Assign a function to the shortcut button, save the current system configurations, or restore the system configuration.



- **Shortcut:** User can select from **GamePlus, GameVisual, Brightness, Mute, Shadow Boost, Contrast, Input Select, HDR Setting, Blue Light Filter, Color Temp., Volume, Smart KVM, KVM, Pixel Cleaning, Customized Setting-1, Customized Setting-2** and set as shortcut key.
- **Customized Setting:** Load/Save all settings on the monitor.

8. System Setup

Adjust the system configurations.



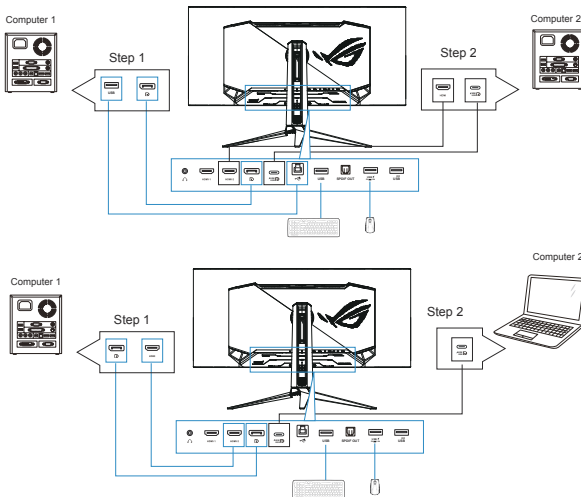
- **Language:** Select OSD language. The selections are: **English, French, German, Spanish, Italian, Dutch, Russian, Poland, Czech, Croatia, Hungary, Romania, Portugal, Turkey, Simplified Chinese, Traditional Chinese, Japanese, Korean, Persian, Thai, Indonesian, Ukrainian and Vietnamese.**
- **Sound:** Configure the sound related settings.
 - **Volume:** Adjust the volume level.
 - **Mute:** Enable/Disable the mute function.
 - **Sound Source:** Select the monitor sound comes from which source.
 - **Sound Output:** Headphone and SPDIF.

- **USB Setup:** Configures USB port settings.
- **KVM:** Controls the source screen using one keyboard and mouse.
- **Smart KVM:** Controls the two connected devices both using just one keyboard and mouse.



- Make sure your USB Type-C and USB Type-B are connected with your devices and USB-C source is enabled before enabling the Smart KVM PBP function.
- Please visit [ASUS support site](#) for more information.

- **KVM (USB-C):** Switches USB downstream port to USB Type-C upstream port.
- **KVM (USB-B):** Switches USB downstream port to USB Type-B upstream port.
- **Type-C Bandwidth:** Selects USB Type-C with USB 2.0 or USB 3.2.
- **USB Hub:** Sets the USB Hub availability during standby



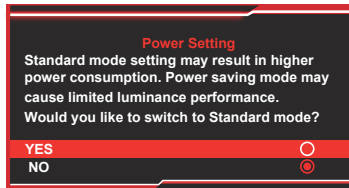
- **USB-C Charging:** Set charging power to 65W or 90W. When 90W is selected, USB hub will be turned off.

- **Proximity Sensor:** Embedded proximity sensor prompts the monitor to switch power saving mode when it detects the user is away for 180 seconds and resumes normal operation when user comes back. The function will adjust the sensor sensitivity according to usage habit—50cm(Low)/80cm(Middle)/110cm(High).



- The sensitivity of sensor might be influenced by the ambient light,color of users' clothing and monitor use angle.

- **Power Indicator:** Turn the power LED indicator on/off.
- **Power Key Lock:**Disable/Enable the Power key.
- **Key Lock:** Enable this function to disable all function keys. Press the **Navigation** button down for more than five seconds to cancel the key lock function.
- **Power Setting :** Select the power setting mode. If the setting is set to **Standard Mode**, it may result in higher power consumption. On the other hand, if the setting is set to **Power Saving Mode**, it may cause limited luminance performance.



- **OSD Setup:** Configure the OSD menu related settings.
 - **OSD Position:** Set the OSD menu position.
 - **OSD Timeout:** Adjust the OSD timeout.
 - **Transparency:** Adjust the OSD background from opaque to transparent.
 - **DDC/CI:** Enable/Disable the DDC/CI function.
- **Screen Protection:**
 - **Screen Saver:** Disables or enables the screen saver function. The screen brightness will automatically decrease when there is no change on the screen.

- **Pixel Cleaning:** It calibrates any issues that may arise on the screen when your monitor has been turned on for a long time. The process will take approximately 6 minutes. This function will automatically activate when the monitor is turned off. Do not unplug the power cord while it is in progress. If you power on the monitor, the Pixel Cleaning will stop operating.



- When the pixel cleaning is activated, the monitor will be unavailable for around six minutes. Would you like to execute the Pixel cleaning? Yes / No
-

- **Pixel Cleaning:** It calibrates any issues that may arise on the screen when your monitor has been turned on for a long time. The process will take approximately 6 minutes.
- **Pixel Cleaning Reminder:** Sets a reminder for user to perform the Pixel Cleaning.



- To prevent and reduce the occurrence of image retention, please execute pixel cleaning and do not unplug the monitor before the process of pixel cleaning function.
-

- **Screen Move:** Selects the screen movement level to prevent image sticking on the display panel.
- **Auto Logo Brightness:** Enable this function to allow the system to automatically adjust the logo brightness to correct the potential picture quality issues.



- The screen may have mura and image sticking due to OLED characteristic during the initial use or re-used after a long time. It is advised to perform Pixel Cleaning while turning on monitor to make sure situation disappear.
-

- **DisplayPort Stream:** Select **DisplayPort 1.2** or **DisplayPort 1.4** according to the graphic card DP version.
- **DSC Support:** Enable/Disable the DSC (Display Stream Compression) function.
- **Information:** Display the monitor information.
- **All Reset:** Select **YES** to revert all settings to the factory default mode.

3.2 Aura Sync

Armoury Crate is a software program that controls the colorful LEDs on supported devices, such as monitors, motherboards, graphic cards, desktop PCs, etc. Aura allows you to adjust the color of the RGB LEDs on these devices and select different light effects. You can also correct or adjust the color of the LEDs by calibrating them.

To activate Aura:

1. Turn ON the Aura Sync function in the OSD menu.
2. Connect the USB type-B or USB type-C port of the monitor to the USB port of your computer.
3. Install Armoury Crate and then restart the computer.
4. Execute Armoury Crate.

Below is the overview of this program.



- If the USB upstream connection between the monitor and computer is disconnected, to resume the Aura function, you need to re-connect the USB 3.0 upstream port of the monitor to the computer and then restart the computer.
- Visit https://rog.asus.com/innovation/armoury_crate/ for more details.

3.3 Specifications

Panel type	OLED
Panel Size	39" W (90.1 cm)
Max. Resolution	3440 x 1440
Pixel Pitch	0.266 mm x 0.266 mm
Brightness (Max)	450cd/m ²
Brightness (100% APL)	275cd/m ²
Contrast Ratio	1,500,000:1
Viewing Angle (H/V)	178°(V) /178°(H)
Display Colors	1073.7M (10 bit)
Response Time	0.03 ms (GTG)
Color temperature selection	8 color temperatures
Digital input	HDMI (v2.1) x 2, DP 1.4 x 1, USB Type-C x 1
Earphone jack	Yes
SPDIF Out (Optical Digital Audio Out)	Yes
USB 3.2 Port	USB Type-A x 2 ; 5V, 1.5A
USB 2.0 Port	USB Type-A x 1 ; 5V, 0.9A
USB Type C	20V, 3.25 A (USB Type-A on) 20V, 4.5 A (USB Type-A close)
Colors	Black
Tilt	-5° ~ +20°
Swivel	Yes
Height adjustment	Yes
VESA wall mount	100 x 100 mm
Kensington lock	Yes
Voltage rating	AC 100-240V, 50/60 Hz
Power consumption	Power On:< 35 W Standby:<0.5 W Power Off:<0.3 W
Temperature (Operating)	0°C ~ 40°C
Temperature (Non-operating)	-20°C ~ +60°C

Phys. Dimension with stand (WxHxD)	890 x 575 x 318 mm
Phys. Dimension without stand (WxHxD)	890 x 424 x 187 mm
Box Dimension (WxHxD)	980 x 525 x 345 mm
Weight without stand (Esti.)	6.94 kg
Net Weight (Esti.)	9.61 kg
Gross Weight (Esti.)	15.32 kg

3.4 Troubleshooting (FAQ)

Problem	Possible Solution
Power LED is not ON	<ul style="list-style-type: none">• Press the ⏻ button to check if the monitor is in the ON mode.• Check if the power cord is properly connected to the monitor and the power outlet.• Check Power Indicator function in main menu OSD. Select "ON" to turn on power LED.
The power LED lights amber and there is no screen image	<ul style="list-style-type: none">• Check if the monitor and the computer are in the ON mode.• Make sure the signal cable is properly connected the monitor and the computer.• Inspect the signal cable and make sure none of the pins are bent.• Connect the computer with another available monitor to check if the computer is properly working.
Screen image is too light or dark	<ul style="list-style-type: none">• Adjust the Contrast and Brightness settings via OSD.
Screen image bounces or a wave pattern is present in the image	<ul style="list-style-type: none">• Make sure the signal cable is properly connected to the monitor and the computer.• Move electrical devices that may cause electrical interference.
Screen image has color defects (white does not look white)	<ul style="list-style-type: none">• Inspect the signal cable and make sure that none of the pins are bent.• Perform Reset via OSD.• Adjust the R/G/B color settings or select the Color Temperature via OSD.
No sound or sound is low	<ul style="list-style-type: none">• Adjust the volume settings of both your monitor and computer.• Make sure the computer sound card driver is properly installed and activated.• Check the audio source.

3.5 Supported Timing List

PC Supported Primary Timing

Resolution	H Freq (KHz)	V Freq (Hz)	DCLK (MHz)	HDMI2.1	DP1.4
640x480-60Hz	31.469	59.94	25.175	V	V
640x480-75Hz	37.5	75	31.5	V	V
800x600-60Hz	37.879	60.317	40	V	V
800x600-75Hz	46.875	75	49.5	V	V
1024x768-60Hz	48.363	60.004	65	V	V
1024x768-75Hz	60.023	75.029	78.75	V	V
1280x720-60Hz	44.772	59.855	74.5	V	V
1280x960-60Hz	60	60	108	V	V
1280x1024-60Hz	63.981	60	108	V	V
1600x1200-60Hz	75	60	162	V	V
1920x1080-60Hz	67.5	60	148.5	V	V

Video Timing

Resolution	H Freq (KHz)	V Freq (Hz)	DCLK (MHz)	HDMI2.1	DP1.4
640x480P-60Hz	29.67	59.94	21.363	V	V
720x480P-60Hz	31.469	59.94	27	V	V
720x576P-50Hz	31.25	50	27	V	V
1280x720P-50Hz	37.5	50	74.25	V	V
1280x720P-60Hz	44.955	59.939	74.175	V	V
1280x720P-60Hz	45	60	74.25	V	V
1920x1080P-24Hz	27	24	74.25	V	V
1920x1080P-25Hz	28.125	25	74.25	V	V
1920x1080P-30Hz	33.75	30	74.25	V	V
1920x1080P-50Hz	56.25	50	148.5	V	V
1920x1080P-60Hz	27	60	148.5	V	V
1920x1080P-119.88Hz	137.143	119.88	274.285	V	V
1920x1080P-120Hz	137.28	120	274.56	V	V
3840x2160P-24Hz	52.4	24	205.564	V	-
3840x2160P-25Hz	54.65	25	214.228	V	-
3840x2160P-30Hz	65.7	30	257.661	V	-
3840x2160P-50Hz	110.55	50	433.356	V	-
3840x2160P-60Hz	133.32	60	522.614	V	-
3840x2160P-100Hz	225	100	1188	V	-
3840x2160P-120Hz	203.25	119.98	813	V	-

24.5 Mode Timing

Resolution	H Freq (KHz)	V Freq (Hz)	DCLK (MHz)	HDMI2.1	DP1.4
2040X1148-60Hz	89.484	59.936	155.75	V	V
2560x1440-60Hz	88.787	59.951	241.5	V	V
2560x1440-120Hz	183.015	120.01	497.8	V	V
2040x1148-120Hz	145.909	119.991	321	V	V
2040x1148-240Hz	288.314	240.061	634.29	V	V
1920x1080-240Hz	291.587	239.989	606.5	V	V
2560x1440-240Hz	388.235	239.799	1056	V	V

27 Mode Timing

Resolution	H Freq (KHz)	V Freq (Hz)	DCLK (MHz)	HDMI2.1	DP1.4
2240x1260-60Hz	77.708	59.96	186.5	V	V
2560x1440-60Hz	88.787	59.951	241.5	V	V
2560x1440-120Hz	183.015	120.01	497.8	V	V
2240x1260-240Hz	340	239.944	816	V	V
2240x1260-120Hz	160	119.94	384	V	V
1920x1080-240Hz	291.587	239.989	606.5	V	V
2560x1440-240Hz	388.235	239.799	1056	V	V

4:3 Mode Timing

Resolution	H Freq (KHz)	V Freq (Hz)	DCLK (MHz)	HDMI2.1	DP1.4
1280X960-60Hz	259.028	239.841	373	V	V
2560x1440-60Hz	88.787	59.951	241.5	V	V
2560x1440-120Hz	183.015	120.01	497.8	V	V
1024x768-240.0Hz	207.348	239.986	245.5	V	V
1728X1080-240Hz	291.678	239.982	550.5	V	V
1920x1440-240Hz	358.337	240.012	752.15	V	V
1920x1080-240Hz	291.587	239.989	606.5	V	V
2560x1440-240Hz	388.235	239.799	1056	V	V

PBP Mode Timing

Resolution	H Freq (KHz)	V Freq (Hz)	DCLK (MHz)	HDMI2.1	DP1.4
1720x1440-60Hz	89.484	59.936	167.00	V	V
1720x1440-120Hz	182.979	119.986	344	V	V
1720x1440-240Hz	358.362	240.028	840	V	V
1920x1080-240Hz	291.587	239.989	606.5	V	V
880x1440-60Hz	88.702	59.893	92.25	V	V
880x1440-120Hz	182.033	119.956	190.25	V	V
880x1440-240Hz	388.462	239.939	404	V	V
1920x1080-240Hz	291.587	239.989	606.5	V	V
2560x1440-60Hz	88.787	59.951	241.5	V	V
2560x1440-120Hz	182.996	119.998	497.75	V	V
2560x1440-240Hz	388.235	239.799	1056	V	V

21:9 Mode Timing

Resolution	H Freq (KHz)	V Freq (Hz)	DCLK (MHz)	HDMI2.1	DP1.4
3440x1440-60Hz	96.181	60	346.25	V	V
2560x1440-120Hz	182.996	119.998	497.75	V	V
2560x1440-60Hz	88.787	59.951	241.5	V	V
1920x1080-240Hz	291.587	239.989	606.5	V	V
3440x1440-120Hz	182.996	119.991	658.75	V	V
3440x1440-144Hz	214.561	144	772.42	-	V
3840x2160-165Hz	244.367	165.001	879.72	V	V
3840x2160-200Hz	296.194	199.996	1066.3	-	V
3440x1440-240Hz	384.722	240.001	1385	V	V

*** The modes not listed in the above tables may not be supported. For optimal resolution, we recommend that you choose a mode listed in the above tables.**



REPUBLIC OF
GAMERS