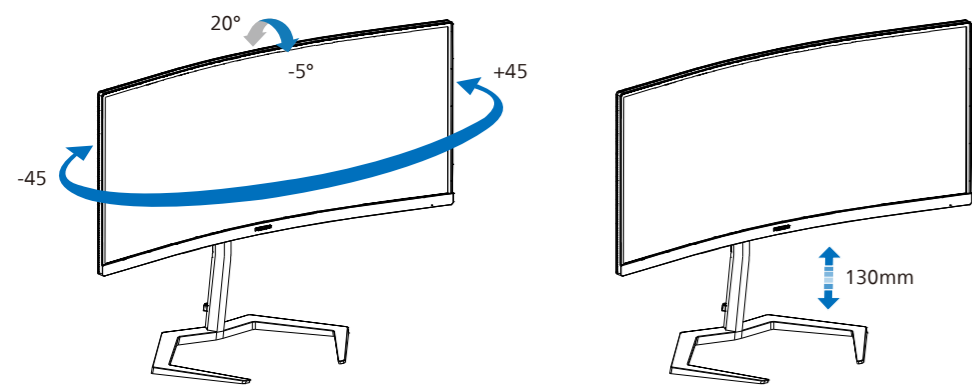
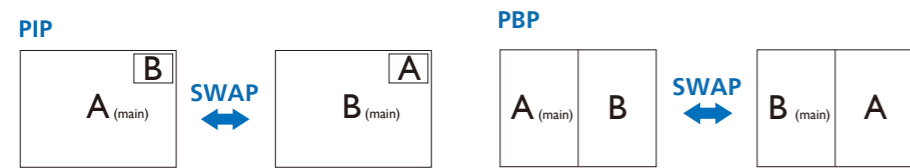


4



5



		SUB SOURCE POSSIBILITY (x1)				
MultiView		Inputs	HDMI 1	HDMI 2	DisplayPort 1	DisplayPort 2
MAIN SOURCE (x1)	HDMI 1	●	●	●	●	●
	HDMI 2	●	●	●	●	●
	DisplayPort 1	●	●	●	●	●
	DisplayPort 2	●	●	●	●	●



Register your product and get support at [www.philips.com/support](http://www.philips.com/support)



Version: 34M1C5500Q1T  
2022 © TOP Victory Investments Ltd. All rights reserved.

This product has been manufactured by and is sold under the responsibility of Top Victory Investments Ltd., and Top Victory Investments Ltd. is the warrantor in relation to this product. Philips and the Philips Shield Emblem are registered trademarks of Koninklijke Philips N.V. and are used under license.

Specifications are subject to change without notice.

**HDMI**  
The terms HDMI, HDMI High-Definition Multimedia Interface, HDMI Trade Dress and the HDMI Logos are trademarks or registered trademarks of HDMI Licensing Administrator, Inc.

[www.evnia.philips](http://www.evnia.philips)

Energy Labelling  
34M1C5500VA



Printed in China



H41G785381361C

EVNIA

# Quick start

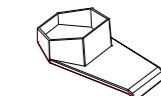
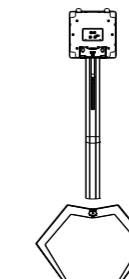
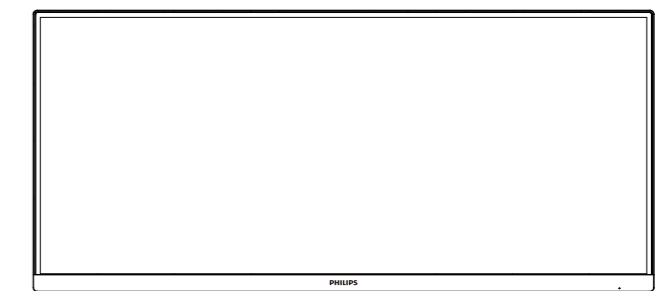


34M1C5500V  
34M1C5500VA

Register your product and get support at [www.philips.com/welcome](http://www.philips.com/welcome)

**PHILIPS**

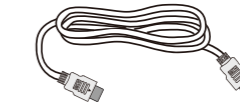
## Contents



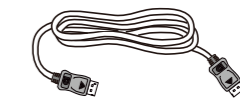
\*Earphone-Hang



Power



\*HDMI



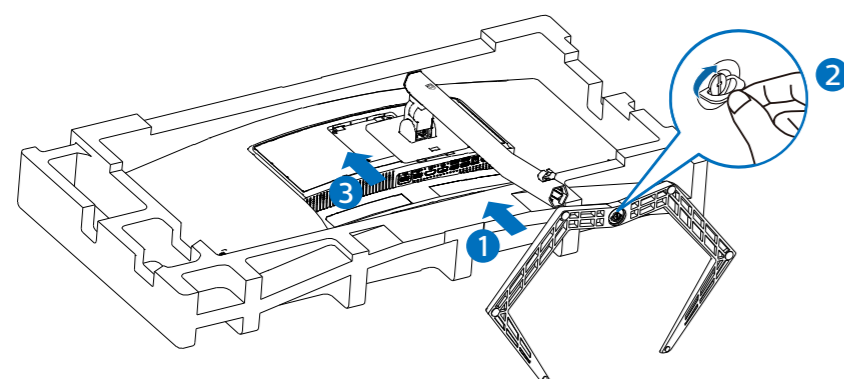
\*DP



\* USB A-B

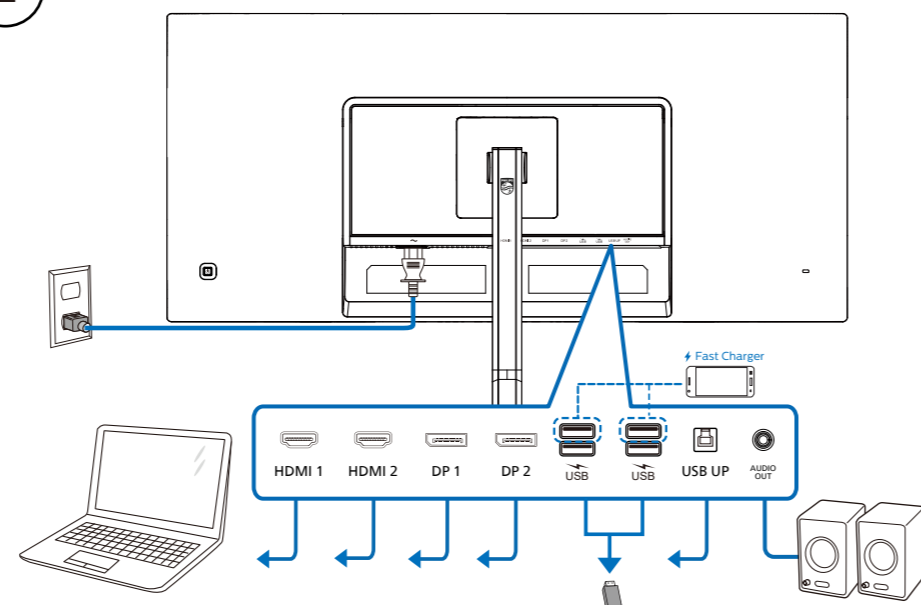
\*Different according to region  
Display design may differ from that illustrated

1

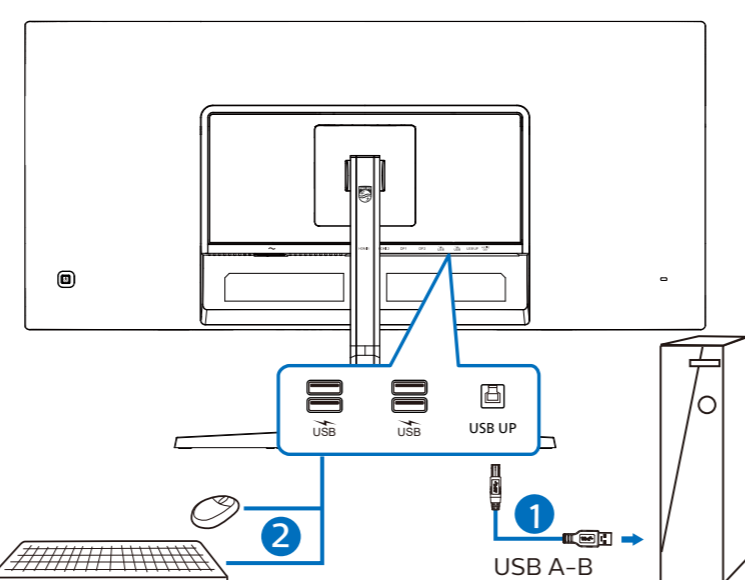


CAUTION: Place the monitor face down on a smooth surface. Pay attention not to scratch or damage the screen.

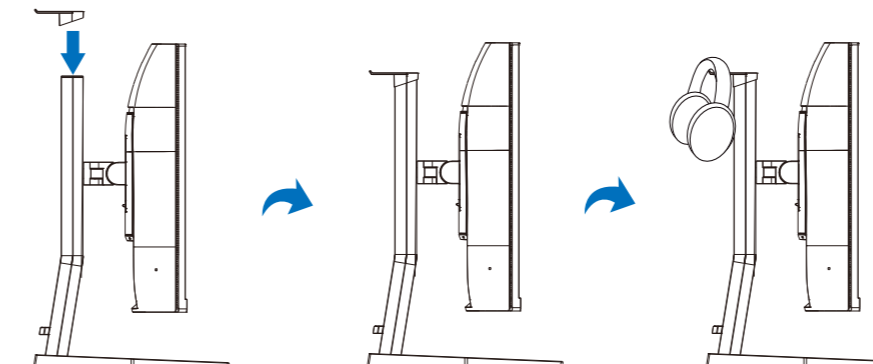
2



USB hub



### Earphone-Hang



3

