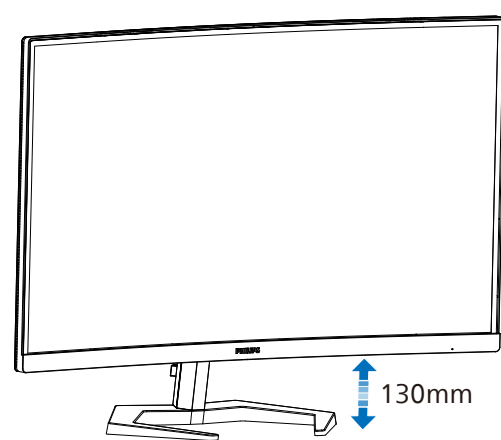
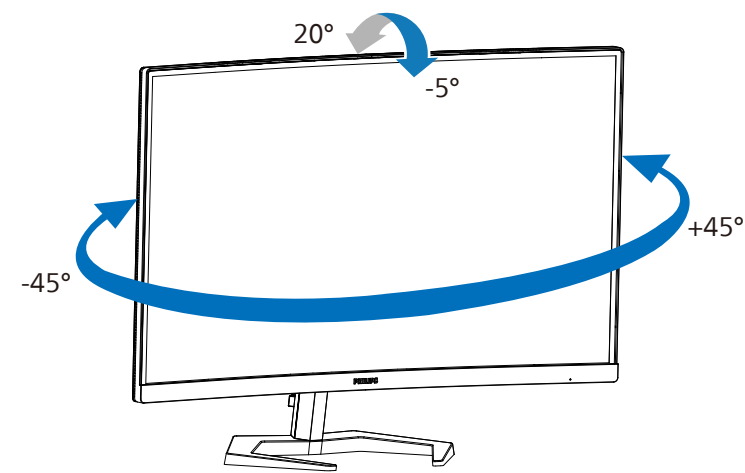
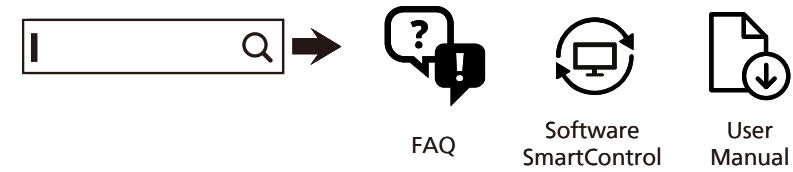


4



Register your product and get support at www.philips.com/support



Version: 32M1C5200Q1T
2021 © TOP Victory Investments Ltd. All rights reserved.

This product has been manufactured by and is sold under the responsibility of Top Victory Investments Ltd., and Top Victory Investments Ltd. is the warrantor in relation to this product. Philips and the Philips Shield Emblem are registered trademarks of Koninklijke Philips N.V. and are used under license.

Specifications are subject to change without notice.

HDMI
The terms HDMI, HDMI High-Definition Multimedia Interface, HDMI Trade Dress and the HDMI Logos are trademarks or registered trademarks of HDMI Licensing Administrator, Inc.

www.evnia.philips

Energy Labelling
32M1C5200W



Printed in China



Q41G32M1813C11

EVNIA

Quick start

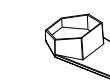
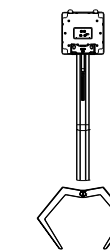
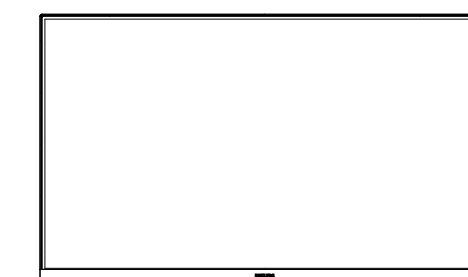


32M1C5200W

Register your product and get support at www.philips.com/welcome

PHILIPS

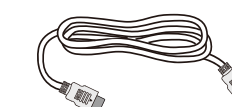
Contents



*Earphone-Hang



Power



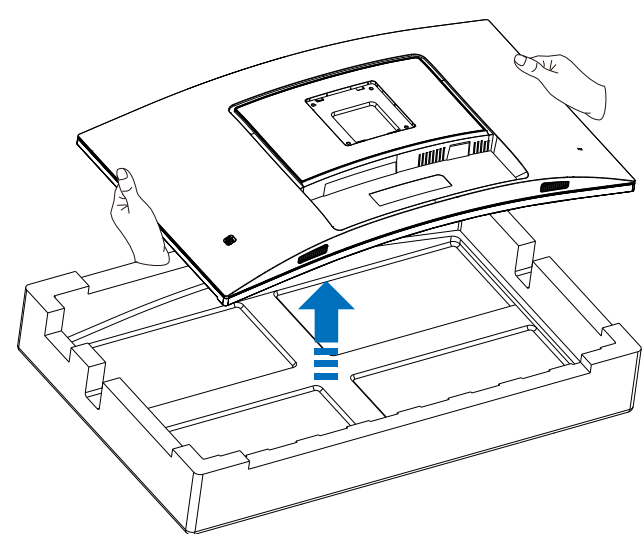
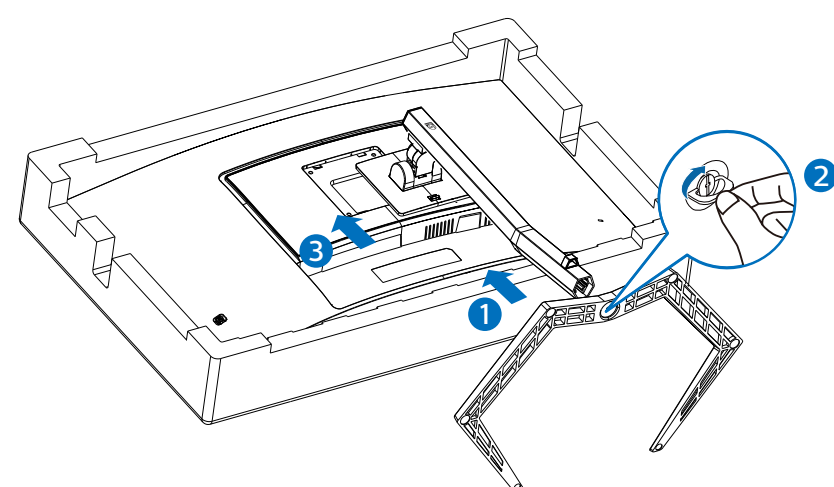
*HDMI



*DP

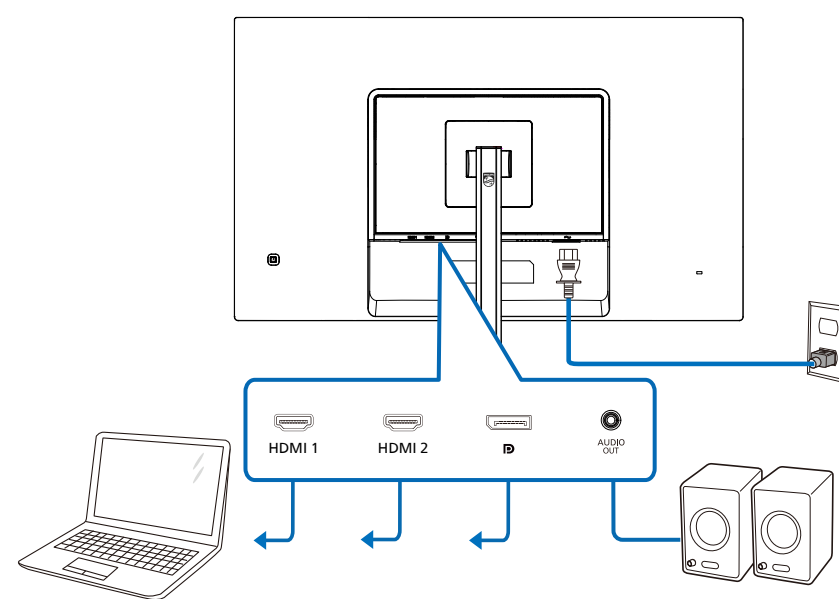
*Different according to region
Display design may differ from that illustrated

1

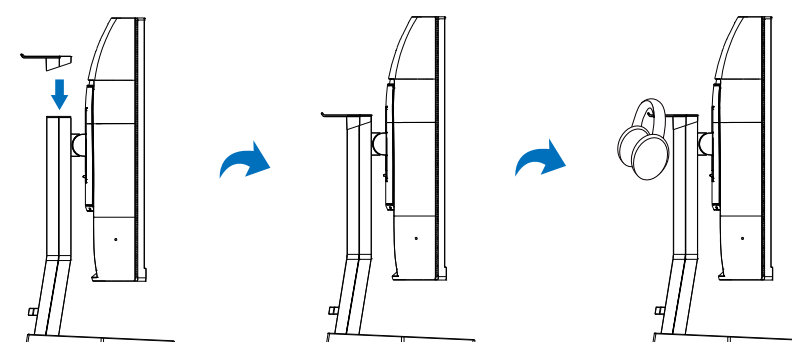


▲ CAUTION: Place the monitor face down on a smooth surface. Pay attention not to scratch or damage the screen.

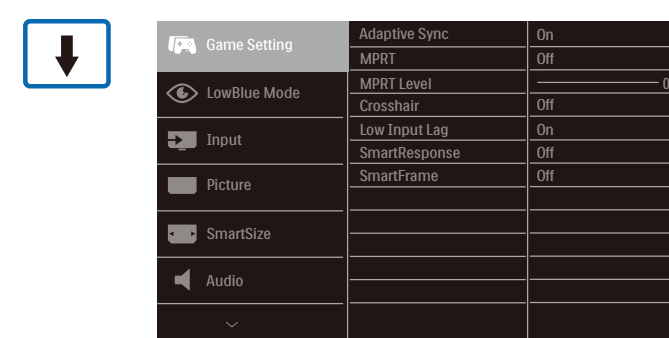
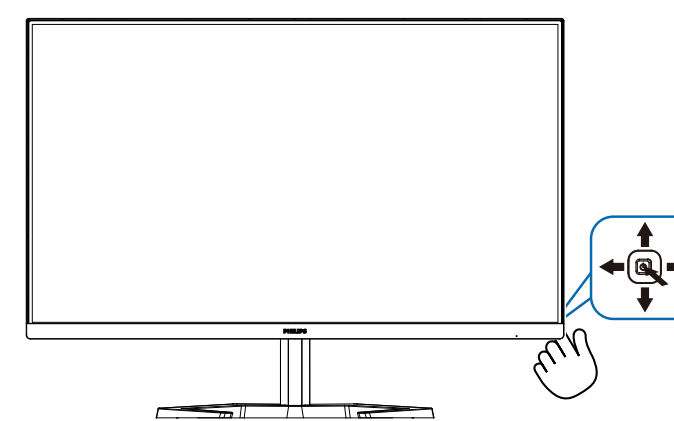
2



Earphone-Hang



3



→

Game Setting	Adaptive Sync	On
MPRT	MPRT	Off
LowBlue Mode	MPRT Level	0
Input	Crosshair	Off
Picture	Low Input Lag	On
SmartSize	SmartResponse	Off
Audio	SmartFrame	Off

↕

↑

Game Setting	Adaptive Sync	On
MPRT	MPRT	Off
LowBlue Mode	MPRT Level	0
Input	Crosshair	Off
Picture	Low Input Lag	On
SmartSize	SmartResponse	Off
Audio	SmartFrame	Off

→

Game Setting	Adaptive Sync	On
MPRT	MPRT	Off
LowBlue Mode	MPRT Level	0
Input	Crosshair	Off
Picture	Low Input Lag	On
SmartSize	SmartResponse	Off
Audio	SmartFrame	Off

←

Game Setting	Adaptive Sync	On
MPRT	MPRT	Off
LowBlue Mode	MPRT Level	0
Input	Crosshair	Off
Picture	Low Input Lag	On
SmartSize	SmartResponse	Off
Audio	SmartFrame	Off