

RAZER KAIRA PRO HYPERSPEED

MASTER GUIDE

Unleash true immersion with the **Razer Kaira Pro HyperSpeed**—a wireless multi-platform gaming headset with haptics powered by Razer™ HyperSense. With the ability to feel what you hear and dual wireless connectivity, you'll have no trouble losing yourself in your game no matter where you play.

CONTENTS

1. WHAT'S INSIDE	3
2. WHAT'S NEEDED	4
3. LET'S GET YOU COVERED.....	5
4. TECHNICAL SPECIFICATIONS	6
5. SETTING UP YOUR RAZER KAIRA PRO HYPERSPEED	7
6. USING YOUR HEADSET	12
7. SAFETY AND MAINTENANCE	21
8. LEGAL.....	23

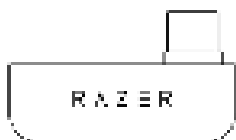
1. WHAT'S INSIDE

- Razer Kaira Pro HyperSpeed



- A. Auto-adjusting headband
- B. Razer™ HyperSense button
- C. Sidetone wheel
- D. Razer SmartSwitch / EQ button
- E. Plush leatherette ear cushions
- F. Earcups Powered by Razer Chroma RGB™
- G. Mic diaphragm
- H. Microphone port
- I. Charging port
- J. Power button
- K. Status indicator
- L. Volume wheel
- M. Mic mute switch

- USB Type C wireless dongle



- USB Type A to USB Type C charging cable



- Detachable Razer™ HyperClear Supercardioid Mic



- Important Product Information Guide

2. WHAT'S NEEDED

PRODUCT REQUIREMENTS

- PS5™ console or PC (Windows® 10 64-bit or higher)*
- USB Type C port
- Devices with Bluetooth audio capability

RAZER AUDIO APP REQUIREMENTS

- iOS 13 / Android 10 (or higher) device with Bluetooth connectivity
- Internet connection for app installation

**Only works with PlayStation®5 consoles. PC compatibility not tested nor endorsed by Sony Interactive Entertainment.*

! **CAUTION: This product has haptic vibration features. For users who have disability regarding vibration; please DO NOT use the haptics function of this product. You can turn off this feature by pressing the Razer HyperSense button to cycle through the intensity levels until it's off.**

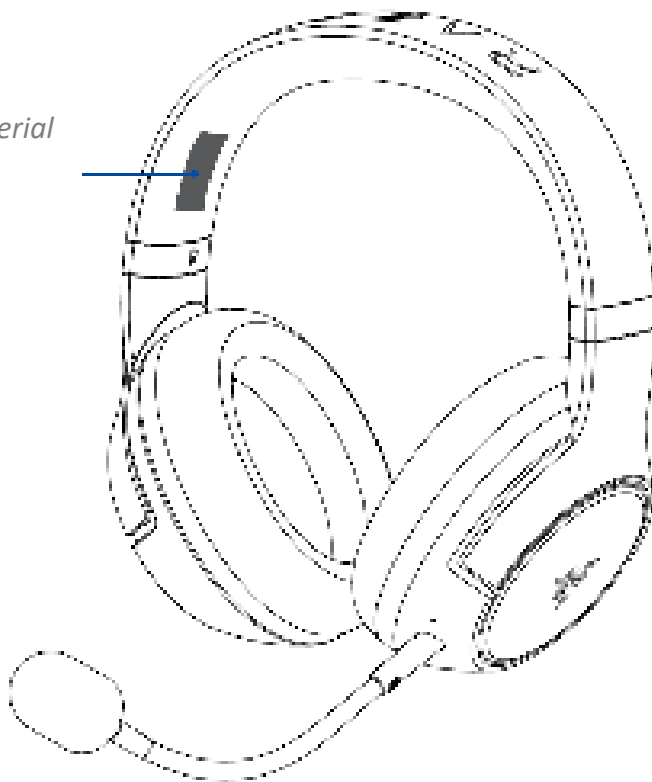
3. LET'S GET YOU COVERED



Register your product and score exclusive benefits

razerid.razer.com/warranty

Your product's serial number can be found here.



4. TECHNICAL SPECIFICATIONS

HEADPHONES

- Frequency response: 20 Hz – 20 kHz
- Impedance: 32Ω at 1 kHz
- Sensitivity (@1 kHz): 108 dB
- Drivers: 50 mm, with Neodymium magnets
- Inner ear cup diameter: Width 45 mm / Length 65 mm
- Oval ear cushions: Full-ear coverage with cooling fabric and plush leatherette, for comfort and optimized haptics
- Connection type: USB Type C wireless dongle / Bluetooth
- Wireless range: 10 m / 30 ft
- Wireless frequency: 2.4 GHz
- Battery life:
 - Up to 11 hours (with Chroma Lighting / Haptics)
 - Up to 30 hours (without Chroma Lighting / Haptics)

MICROPHONE

- Detachable mic boom
- Frequency response: 100 – 10,000 Hz
- Signal-to-noise ratio: > 60 dB
- Sensitivity (@1 kHz): -54 ± 3 dB
- Pick-up pattern: Unidirectional

RANGE

- Bluetooth wireless range: Up to 10 m / 30 ft

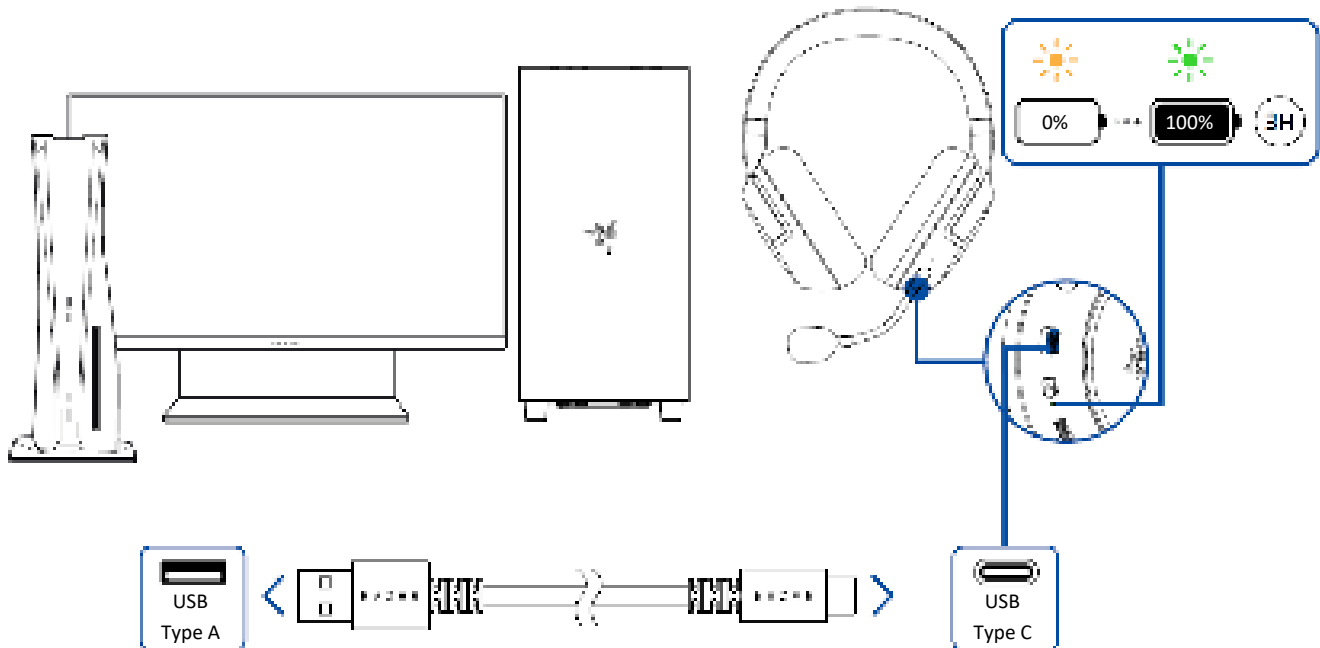
SYSTEM REQUIREMENTS

- PS5™ Console
- PC, Mac, smartphones, tablets, and handheld gaming devices with Bluetooth audio capability or USB Type C port

5. SETTING UP YOUR RAZER KAIRA PRO HYPERSPEED

CHARGING YOUR HEADSET

Connect your Razer Kaira Pro HyperSpeed to a powered USB Type A port using the charging cable. For best results, please fully charge your headset before using it for the first time. A depleted unit will fully charge in about 3 hours.

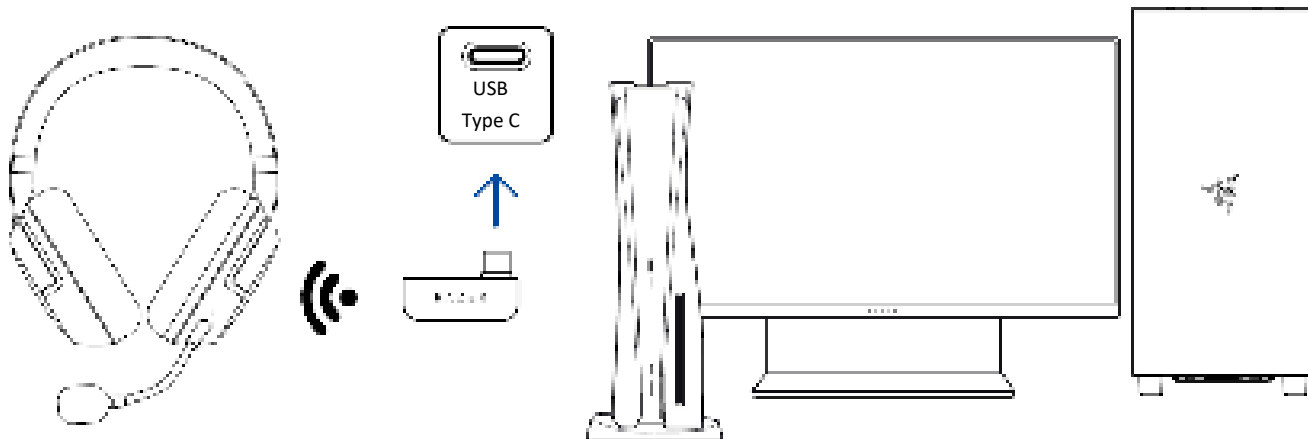


! Headset charging using any port on the PS5™ console only works when the console is not in Rest Mode.

CONNECTING TO YOUR HEADSET

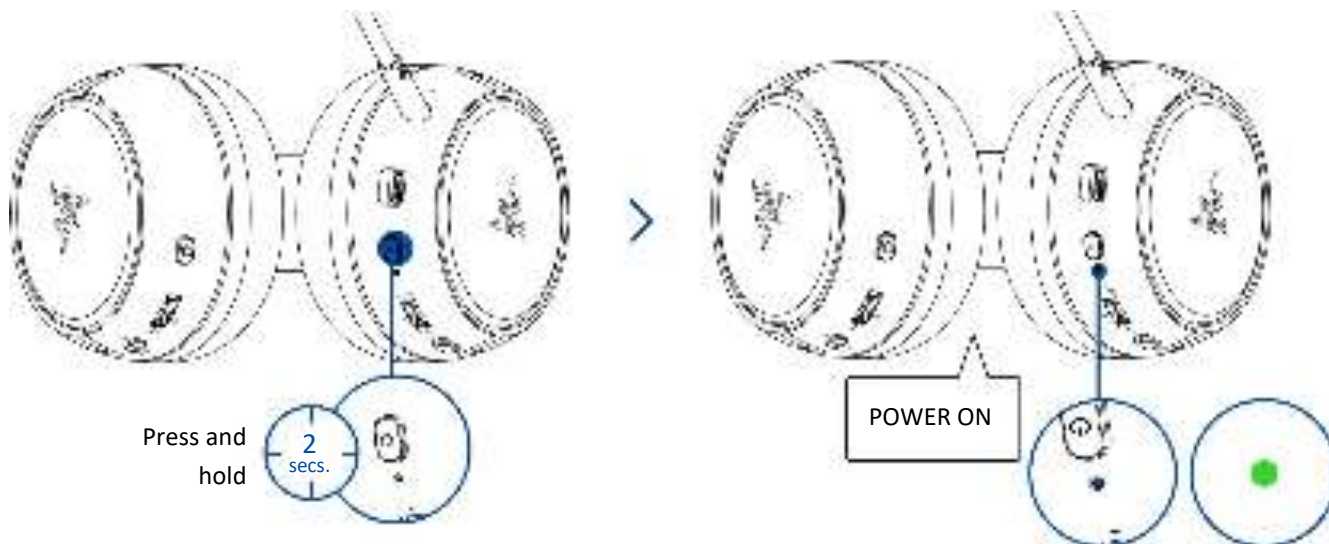
A. TO A PS5™ CONSOLE OR PC VIA 2.4 GHZ

1. Plug the USB Type C wireless dongle into your device.

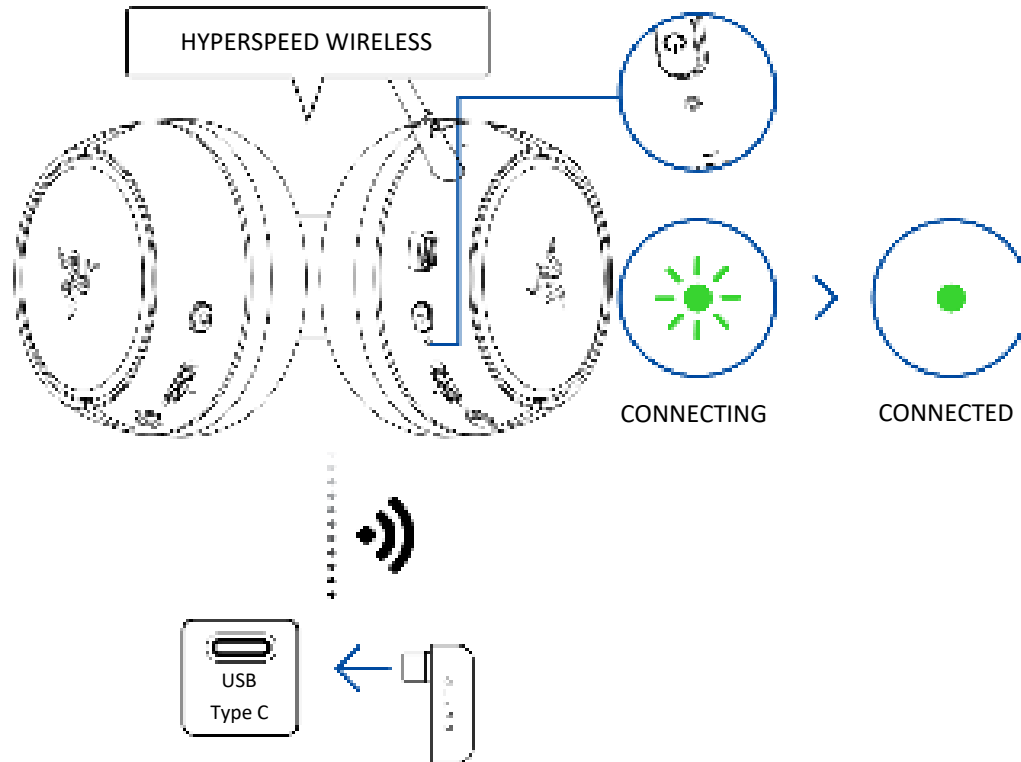


! When plugging the USB Type C wireless dongle into your PS5™ console, make sure it doesn't obstruct the console's USB Type-A port.

2. Press and hold the Power button until the status indicator briefly lights up in solid green to power on the headset.



- Wait until the status indicator briefly becomes static green, indicating that the headset is connected to the USB Type C wireless dongle.



! *This headset uses 2.4 GHz wireless bandwidth. If the PlayStation®5 console and other devices use the same bandwidth, signal interference may occur.*

- On your device (if applicable), set the Razer Kaira Pro HyperSpeed as the default **Input** and **Output Device**.

On PS5™ consoles

Settings > Sound	Audio Output > Output device > Razer Kaira Pro HS 2.4
	Microphone > Input device > Razer Kaira Pro HS 2.4

! *Razer has validated the operation between this headset and the PlayStation®5 console.*

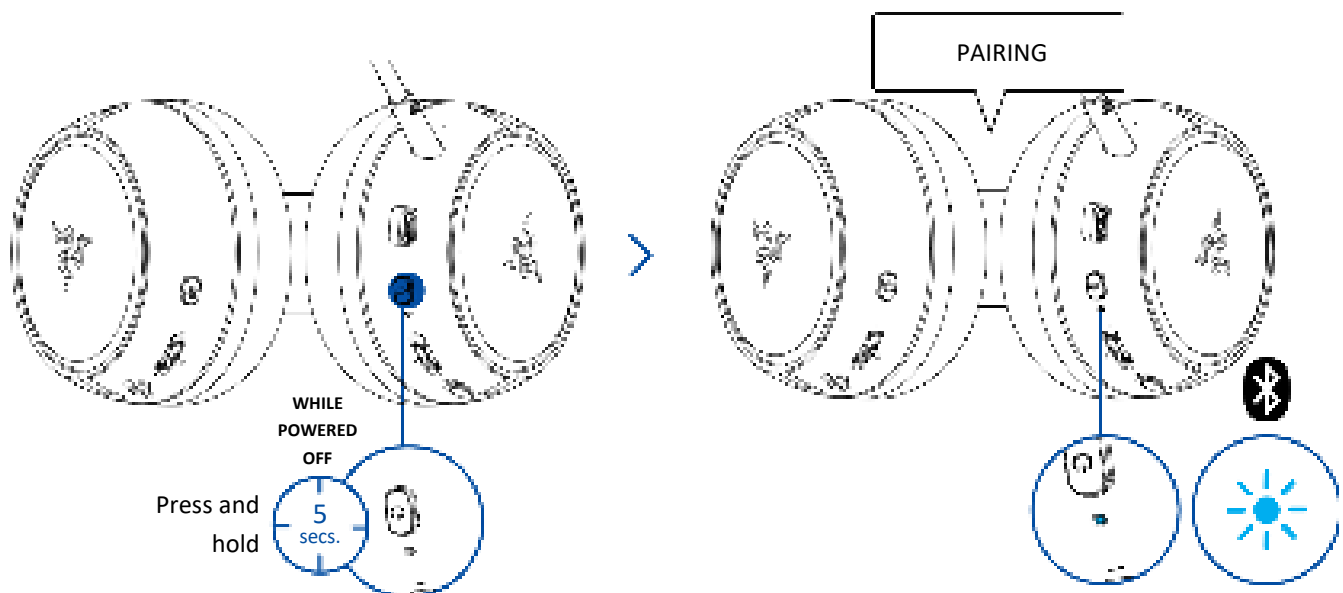
On PC

Sound settings	Output > Razer Kaira Pro HS 2.4
	Input > Razer Kaira Pro HS 2.4

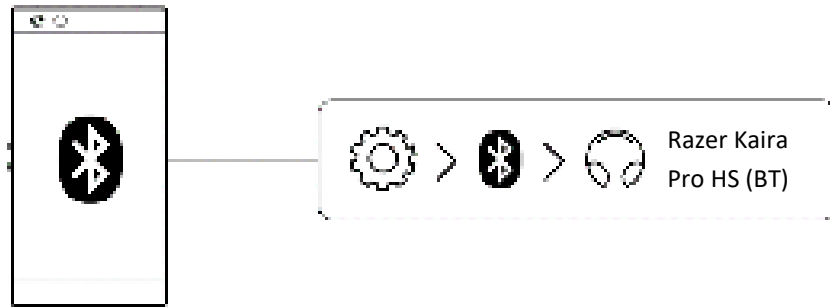
! *When using the headset with compatible devices, set the Razer Kaira Pro HS 2.4 as the default input and output device (if applicable).*

B. TO OTHER DEVICES VIA BLUETOOTH

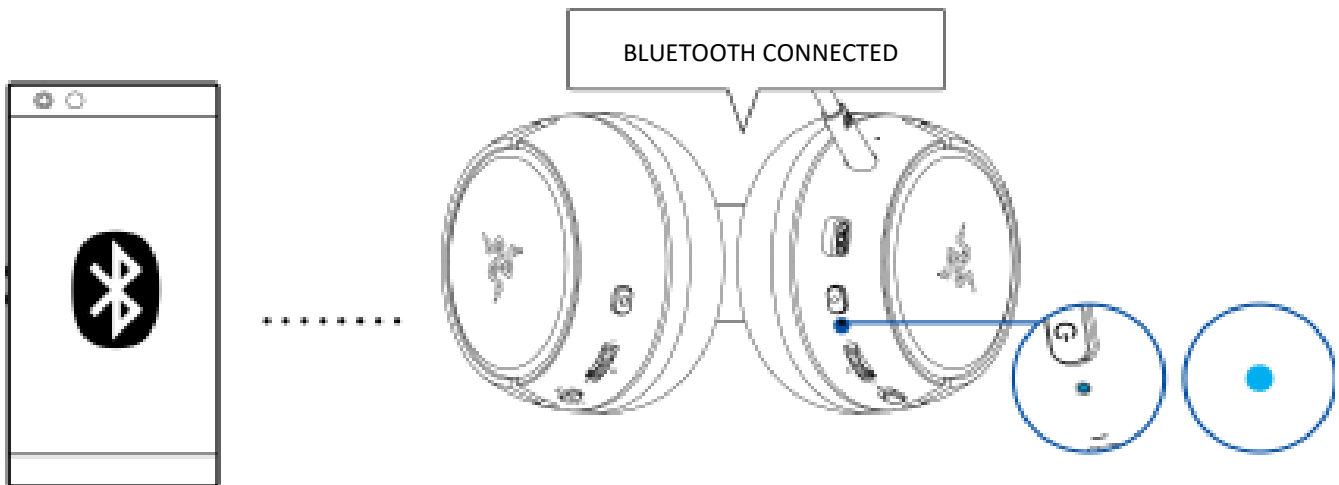
1. While powered off, press and hold the Power button for 5 seconds or until the status indicator starts blinking in blue to enter pairing mode.



2. Activate Bluetooth on your device and select "**Razer Kaira Pro HS (BT)**" from the list of devices found.

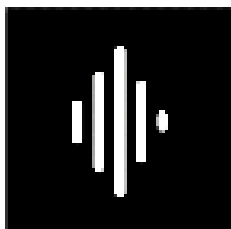


3. Wait until both devices are connected. The status indicator will briefly show solid blue to indicate that the headset is now connected to your device.



RAZER AUDIO APP (MOBILE)

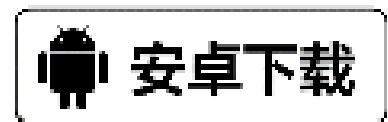
Toggle Do Not Disturb to block incoming calls while gaming, adjust the HyperSense intensity, customize your headset's EQ and auto-shutoff settings, and fine-tune other advanced features from your mobile device.



Razer Audio



OR



RZR.TO/AUDAPP
(For China only)

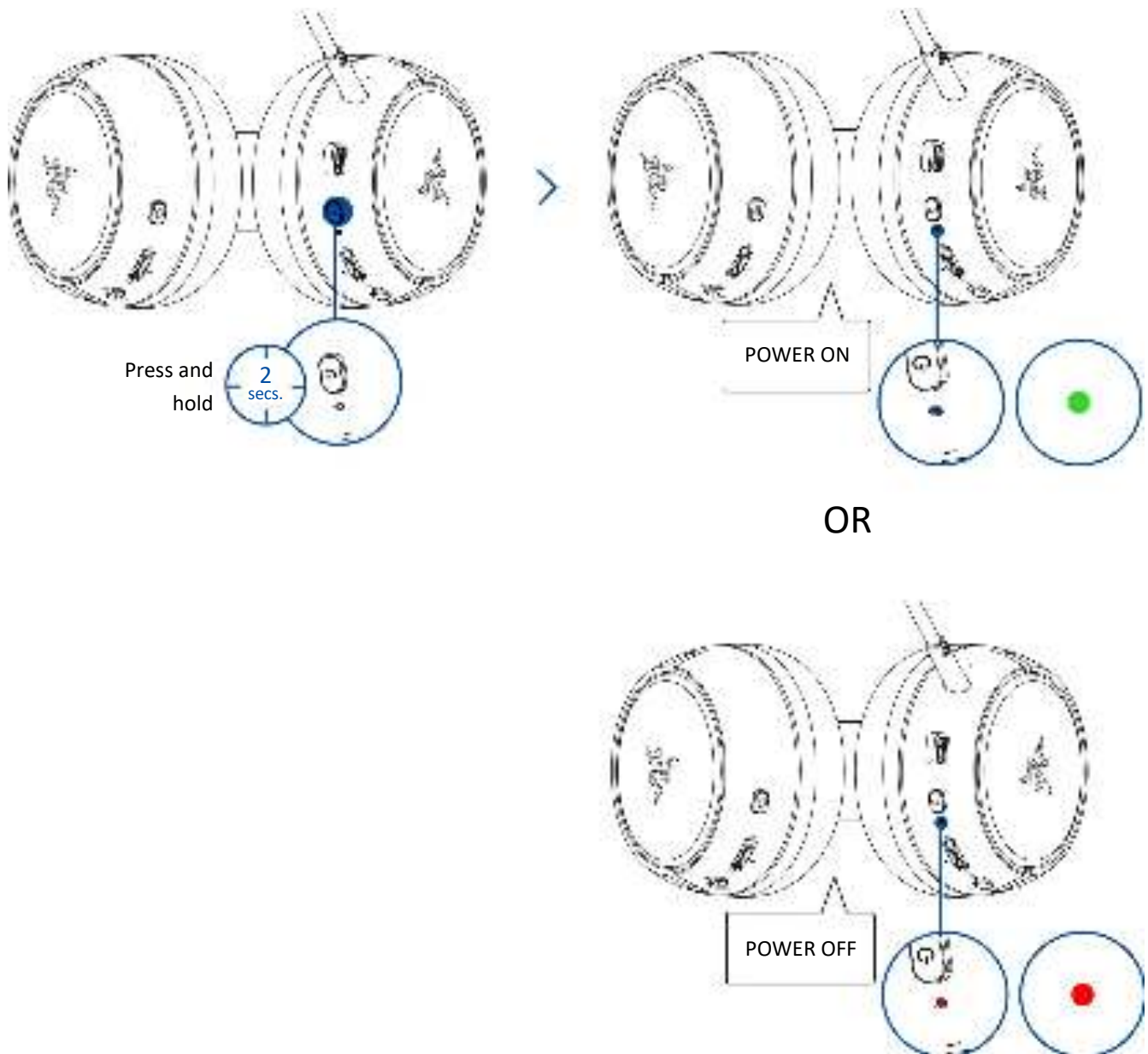
 Only available on iOS 13 / Android 10 (or higher) devices with Bluetooth connectivity.

6. USING YOUR HEADSET

POWER BUTTON

Power ON / OFF

Power on the headset by holding the Power button until the status indicator is on and holding the Power button again to turn off. An audio prompt will help notify you when the headset is powered on or off.



! *The headset will power on using the last active audio source before power off.*

Other functions

Other power button functions are available when the headset is powered on with Bluetooth as the audio source. These functions operate based on your device's current activity and may not apply to certain devices.

Single press

Play/pause

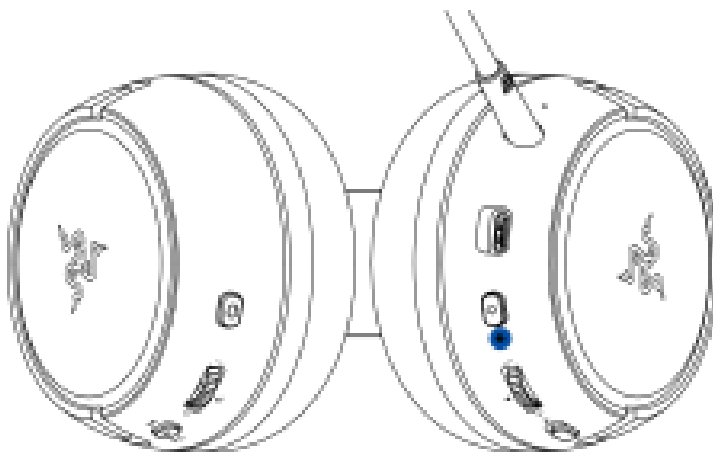
Accept incoming call or end current call


Put call on-hold and accept incoming call

	End call and swap to on-hold call
	Cancel outgoing call
Double press	Reject incoming call
	Swap calls
	Skip track
Triple press	Previous track
While powered off, press and hold for 5 seconds	Activate Bluetooth pairing mode

UNDERSTANDING THE STATUS INDICATOR

The status indicator will show the connection and battery status when the headset is unplugged and powered on. While in use, you'll hear a voice prompt when the headset needs to be recharged; during such time, the indicator will continue showing the battery level until you charge the headset.

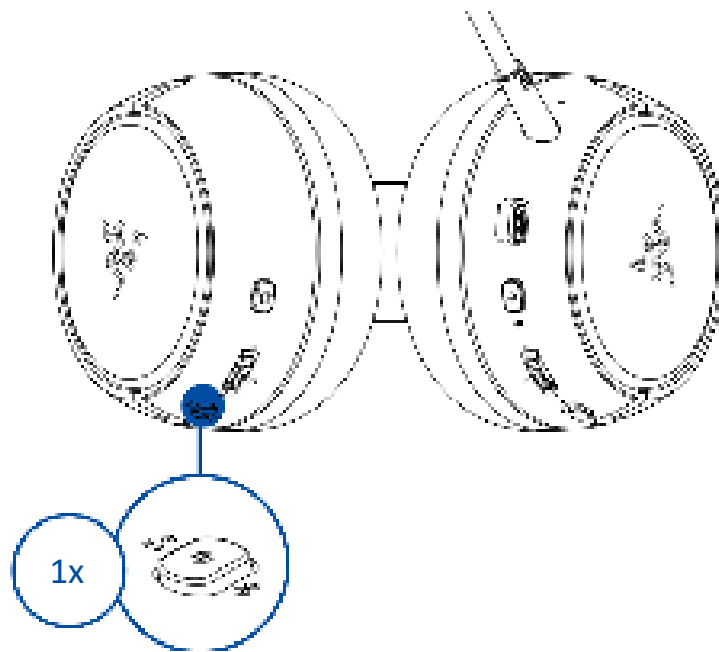


Indicator	Prompt	Battery level
	Voice	Low

RAZER SMARTSWITCH BUTTON

Switching between EQ Presets

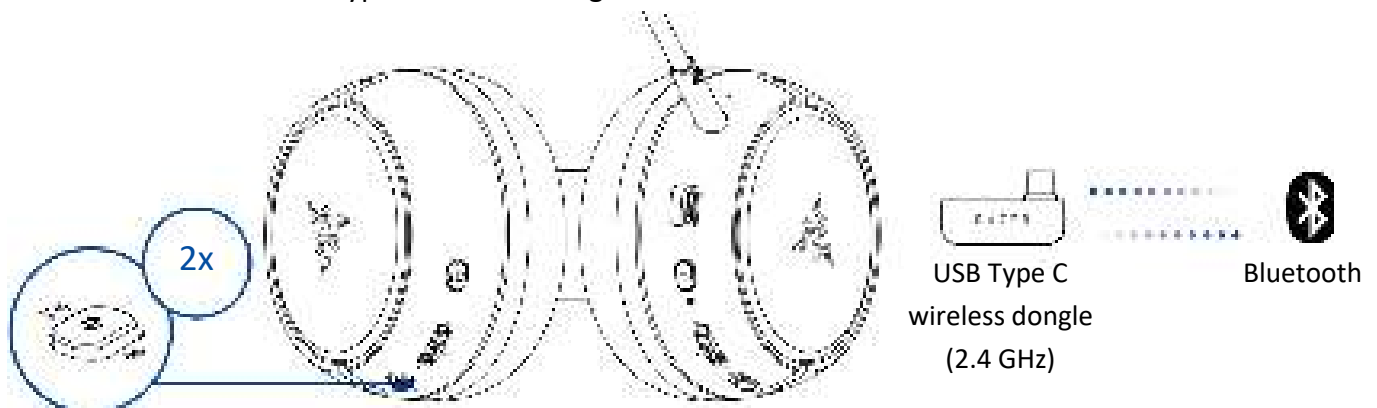
Press the Razer SmartSwitch / EQ button to switch between Default, Amplified, Enhanced Bass, FPS, and Custom* EQ presets available on the headset.



**This preset will only be available when you customize a preset on the Razer Audio app.*

Switching between audio sources

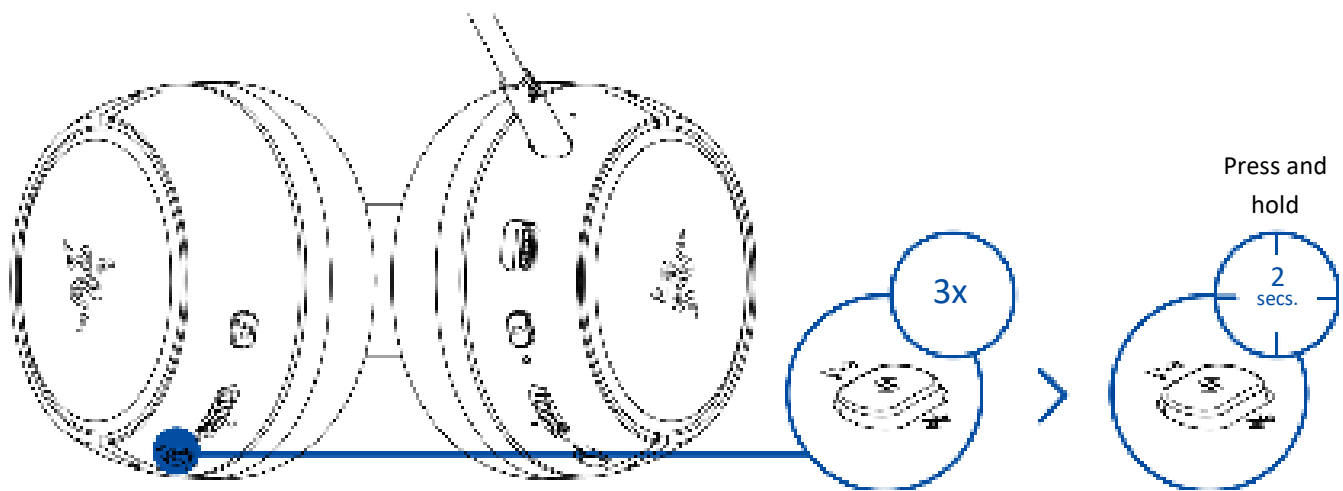
When powered on and connected to any audio source, double press the Razer SmartSwitch button to switch between the USB Type C wireless dongle and Bluetooth audio source or vice versa.



! *Using Bluetooth as the audio source will reconnect the headset to the last known device. Pairing mode will be activated if no device is found.*

Enabling / Disabling Gaming Mode

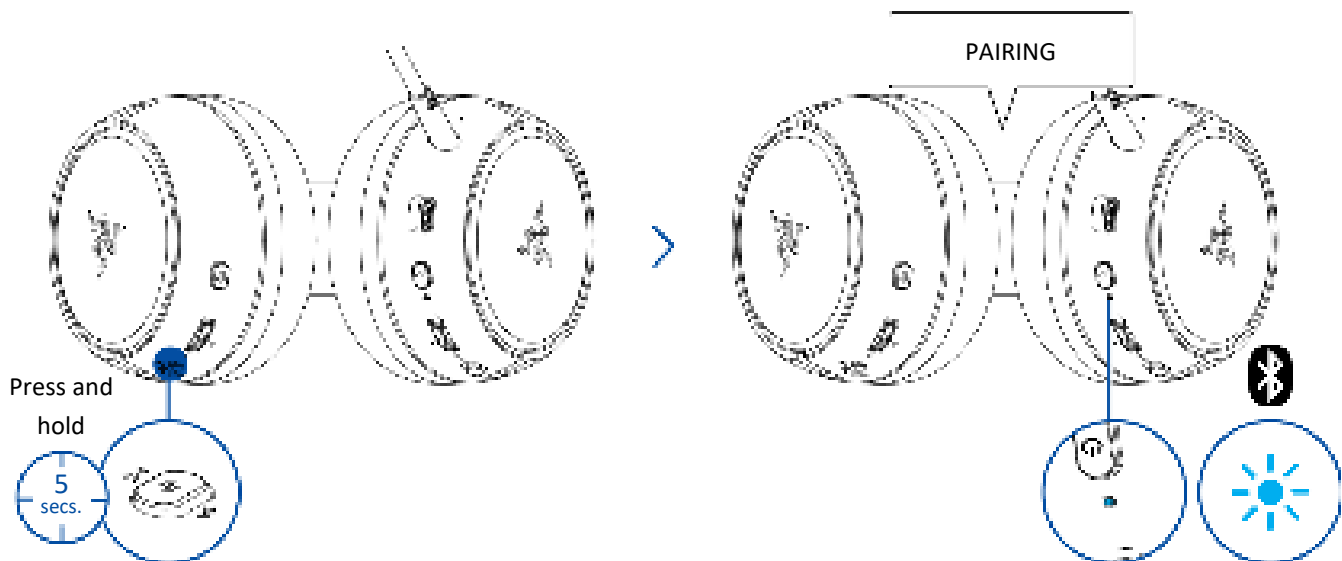
While connected via Bluetooth, triple press the Razer SmartSwitch button, then hold the last press for 2 seconds to activate Gaming Mode. Once enabled, the headset will function at a lower latency, giving you real-time audio feedback while gaming. Repeat to disable gaming mode.



i This feature is only available on Bluetooth connection. Keeping the headset within a very close distance of the audio source is recommended for the best performance.

Reactivating Bluetooth pairing mode


You can also use the Razer SmartSwitch to reactivate Bluetooth pairing mode. While connected via Bluetooth, press and hold the Razer SmartSwitch button for 5 seconds to reactivate Bluetooth pairing mode and connect your device as needed to **Razer Kaira Pro HS (BT)**.



UNDERSTANDING RAZER SMARTSWITCH

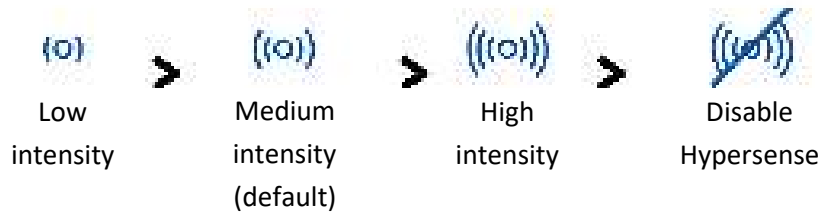
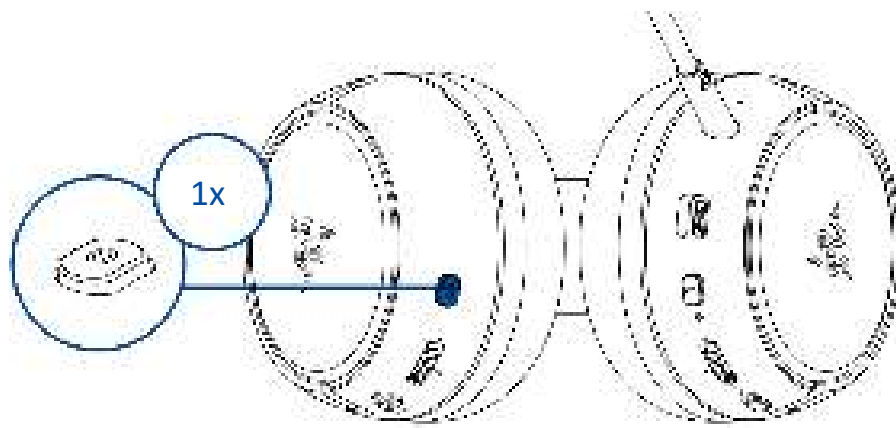
With the Razer Kaira Pro HyperSpeed simultaneously connected to a PC or gaming console (via USB Type C wireless dongle) and a mobile device (via Bluetooth), you'll be able to use the headset for incoming/outgoing/conference calls from a connected Bluetooth device and switch back to the game audio without removing the headset. The status indicator will briefly show static white to indicate that the headset is connected to both audio sources.


The following behaviors below will help you understand how your headset responds to audio source switching and incoming/outgoing/conference calls when your headset is connected to a Bluetooth device and the USB Type C wireless dongle:

Headset audio	Razer SmartSwitch behavior
Streaming via USB Type C wireless dongle	<ul style="list-style-type: none"> ▪ The headset will automatically switch to Bluetooth audio source for incoming/outgoing/conference calls from your mobile device and resume using the USB Type C wireless dongle after each call. <p> <i>You can deactivate automatic source switching for incoming calls by enabling your headset's Do Not Disturb feature on the Razer Audio app.</i></p> <ul style="list-style-type: none"> ▪ Audio from the connected mobile device will ONLY automatically stream on the headset if no audio is present or streaming on the USB Type C wireless dongle. ▪ Auto-pause on streamed audio when switching audio sources depends on the app you're using (e.g., Spotify, Apple Music).
Streaming via Bluetooth	<ul style="list-style-type: none"> ▪ When you switch to the USB Type C wireless dongle audio source, your headset will remain connected to your mobile device via Bluetooth. However, the Razer Audio app will disconnect from your mobile device. ▪ Auto-pause on streamed audio when switching audio sources depends on the app you're using (e.g., Spotify, Apple Music).
Not streaming on any audio source	Audio will play on the first audio source that streams audio.

RAZER HYPERSENSE BUTTON

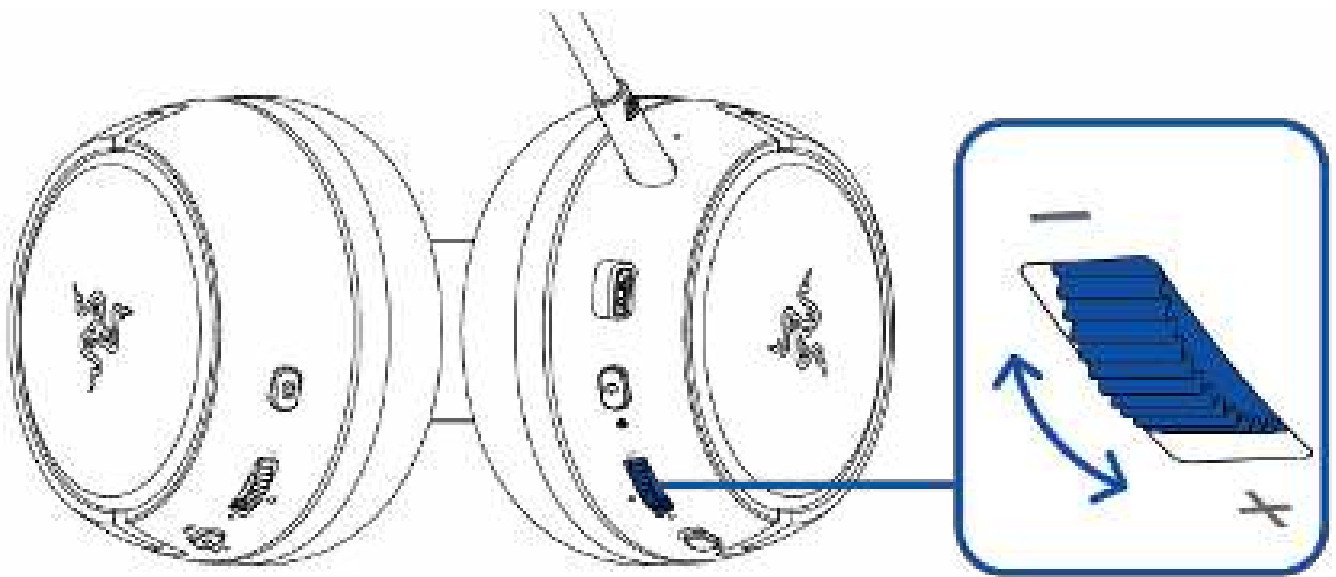
With Razer HyperSense enabled, the headset will convert sound signals into vibrations in real-time, providing tactile feedback from within the earcups. To control its intensity level, press the Razer HyperSense button to cycle through Low, Medium, High, and Disable HyperSense.



 *By default, this feature is enabled and set to Medium intensity. The HyperSense intensity can also be customized from the Razer Audio app.*

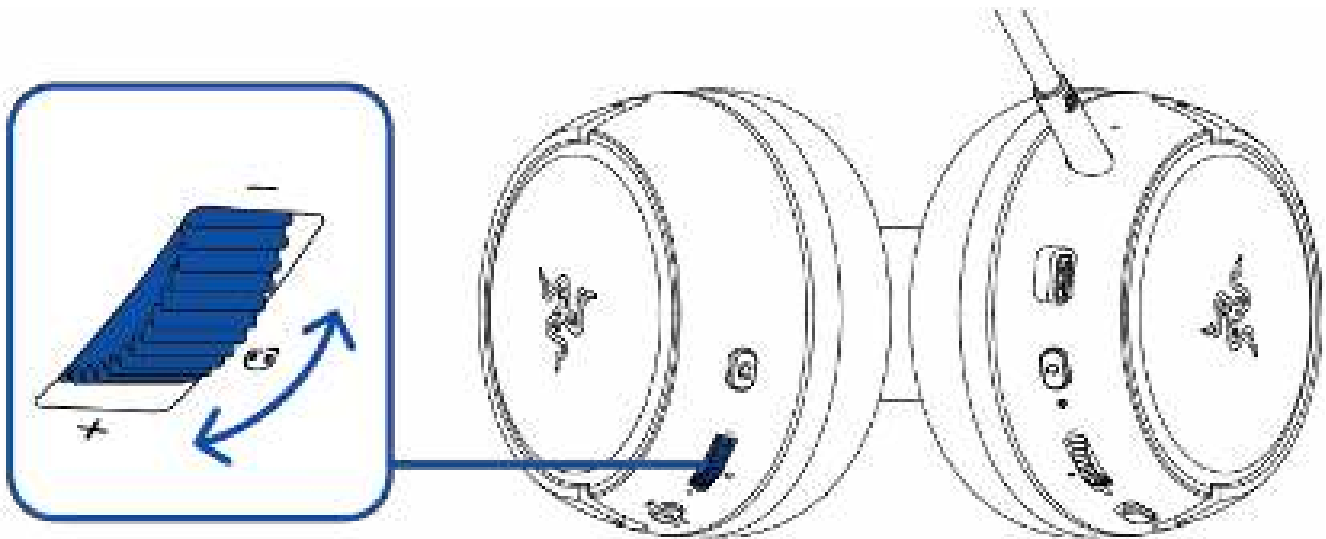
VOLUME WHEEL

Rotate the Volume wheel to increase or decrease the volume.



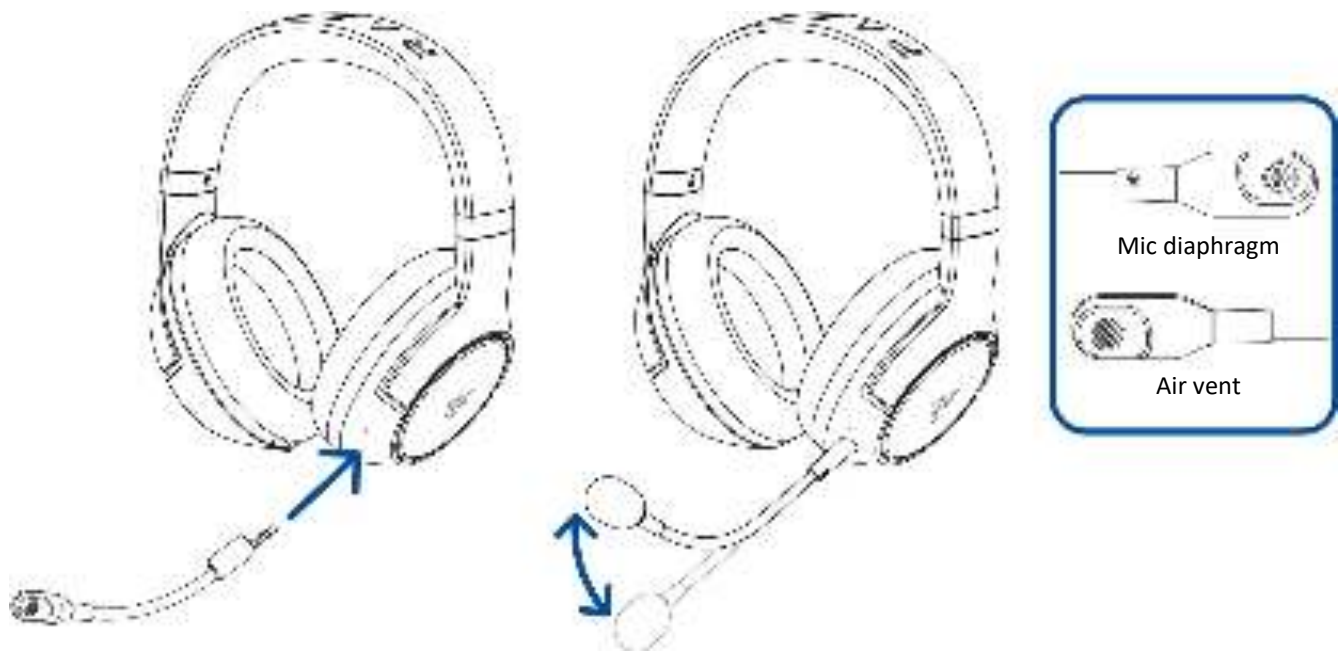
SIDETONE WHEEL

Rotate the Sidetone wheel to adjust the volume of your voice that you can hear through the headset.



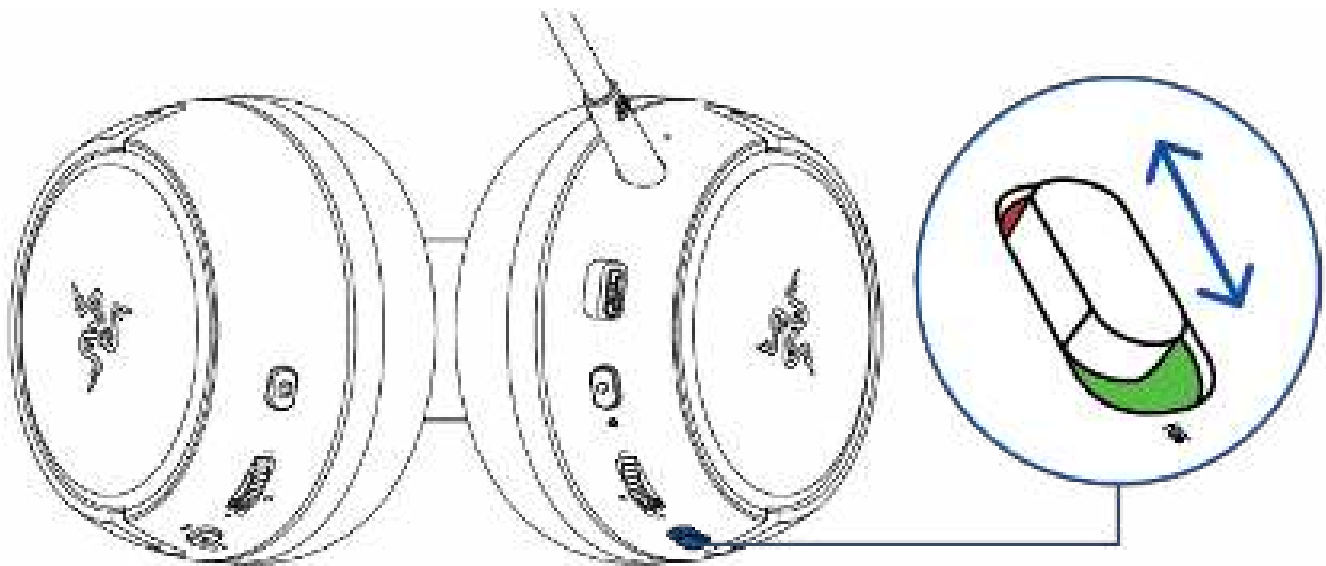
RAZER™ HYPERCLEAR SUPERCARDIOID MIC

Plug the Razer™ HyperClear Supercardioid mic into the headphone and bend until it is parallel to your mouth. Make sure the mic diaphragm is in front, and the air vent is facing away from your mouth.



i The recommended mic-to-mouth distance for optimal sound capture is 1.5 cm to 3 cm (0.59 in to 1.18 in).

Slide the mic mute switch to mute or unmute the microphone.



COMFORT

It's recommended to gently stretch the headset before placing it over your head to minimize headband stress; however, don't stretch the headset beyond its limits.



7. SAFETY AND MAINTENANCE

SAFETY GUIDELINES

To achieve maximum safety while using your Razer Kaira Pro HyperSpeed, we suggest that you adopt the following guidelines:

Should you have trouble operating the device properly and troubleshooting does not work, unplug the device and contact the Razer hotline or go to support.razer.com for assistance.

Do not take apart the device (doing so will void your warranty), and do not attempt to operate it under abnormal current loads.

Keep the device away from liquid, humidity, or moisture. Operate the device only within the specific temperature range of 0°C (32°F) to 40°C (104°F). Should the temperature exceed this range, unplug and/or switch off the device to let the temperature stabilize to an optimal level.

The device isolates external ambient sounds even at low volumes, resulting in lowered awareness of your external surroundings. Please remove the device when engaging in activities requiring active awareness of your surroundings.

Listening to excessively loud volumes over extended periods can damage your hearing. Furthermore, legislation of certain countries permits a maximum sound level of 86db to affect your hearing for 8 hours a day. We, therefore, recommend that you reduce the volume to a comfortable level when listening for prolonged periods. Please, take good care of your hearing.

MAINTENANCE AND USE

The Razer Kaira Pro HyperSpeed requires minimum maintenance to keep it in optimum condition. Once a month, we recommend you clean it using a soft cloth or cotton swab to prevent dirt buildup. Do not use soap or harsh cleaning agents.

BATTERY WARNING

The Razer Kaira Pro HyperSpeed contains a Li-ion rechargeable battery. In general, the life expectancy of such batteries is dependent upon usage. If you suspect that the Li-ion rechargeable battery inside the Razer Kaira Pro HyperSpeed may be drained (has a low charge), try charging it.

Caution: Do not open, mutilate, or expose to conducting materials (metal), moisture, liquid, fire, or heat. Doing so may cause batteries to leak or explode, resulting in personal injury. Battery life varies with usage.

8. LEGAL


COPYRIGHT AND INTELLECTUAL PROPERTY INFORMATION

©2022 Razer Inc. All rights reserved. Razer, the triple-headed snake logo, Razer logo, “For Gamers. By Gamers.” and “Razer Chroma” are trademarks or registered trademarks of Razer Inc. and/or affiliated companies in the United States and other countries. Actual product may differ from pictures. All other trademarks are the property of their respective owners. Warranty not valid outside of product’s intended region.

Android, Google, Google Logo, Google Play, and the Google Play logo are registered trademarks of Google LLC.

Apple, the Apple logo, and iPhone are trademarks of Apple Inc., registered in the U.S. and other countries. App Store is a service mark of Apple Inc. iOS is a trademark or registered trademark of Cisco in the U.S. and other countries and is used under license.

The Bluetooth® word mark and logos are registered trademarks owned by Bluetooth SIG, Inc., and any use of such marks by Razer is under license.

"", "PlayStation", and "PS5" are registered trademarks of Sony Interactive Entertainment Inc. All other trademarks are the property of their respective owners. Manufactured and distributed under license from Sony Interactive Entertainment.

Windows and the Windows logo are trademarks of the Microsoft group of companies.

Razer Inc. (“Razer”) may have copyright, trademarks, trade secrets, patents, patent applications, or other intellectual property rights (whether registered or unregistered) concerning the product in this guide. Furnishing of this guide does not give you a license to any such copyright, trademark, patent or other intellectual property right. The Razer Kaira Pro HyperSpeed (the “Product”) may differ from pictures whether on packaging or otherwise. Razer assumes no responsibility for such differences or for any errors that may appear. Information contained herein is subject to change without notice.

LIMITED PRODUCT WARRANTY

For the latest and current terms of the Limited Product Warranty, please visit [razer.com/warranty](https://www.razer.com/warranty).

LIMITATION OF LIABILITY

Razer shall in no event be liable for any lost profits, loss of information or data, special, incidental, indirect, punitive or consequential or incidental damages, arising in any way out of distribution of,

sale of, resale of, use of, or inability to use the Product. In no event shall Razer's liability exceed the retail purchase price of the Product.

GENERAL

These terms shall be governed by and construed under the laws of the jurisdiction in which the Product was purchased. If any term herein is held to be invalid or unenforceable, then such term (in so far as it is invalid or unenforceable) shall be given no effect and deemed to be excluded without invalidating any of the remaining terms. Razer reserves the right to amend any term at any time without notice.