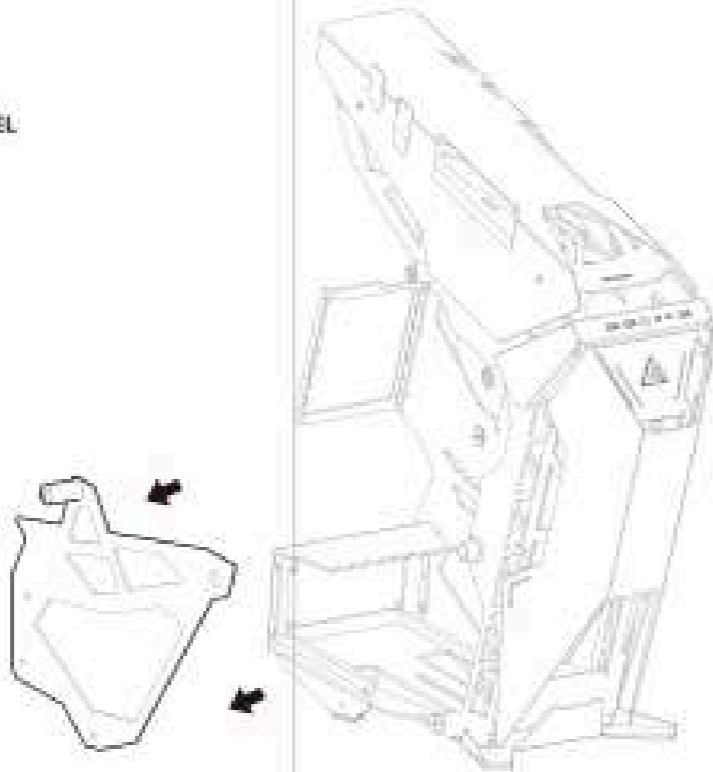


# TORQUE

A NEW ANGLE OF INNOVATION

## REMOVE SUPPORTING PANEL 拆卸支撑板

Install hardware  
安装硬件



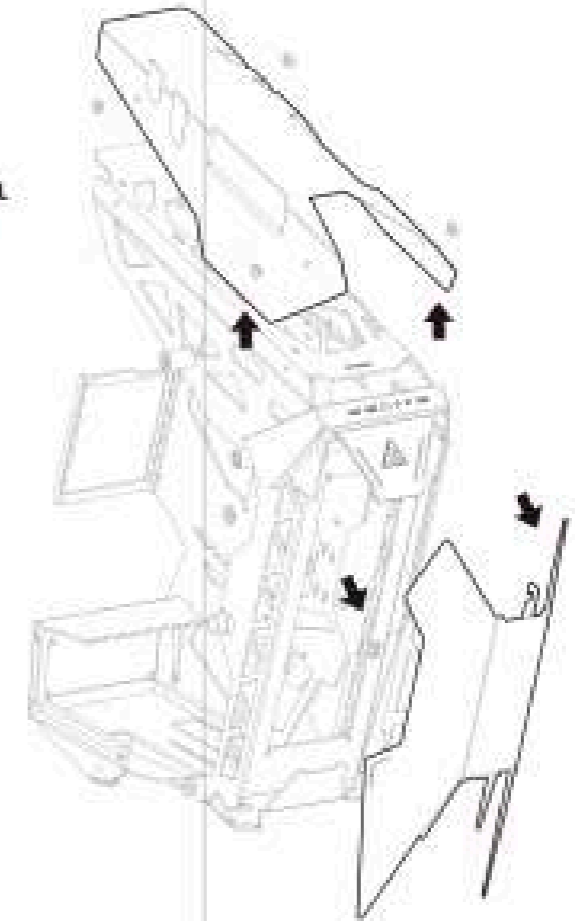
3

# TORQUE

A NEW ANGLE OF INNOVATION

## REMOVE TOP PANEL & FRONT PANEL 拆卸顶部面板及前面板

Install cooling radiator  
安装散热器



4

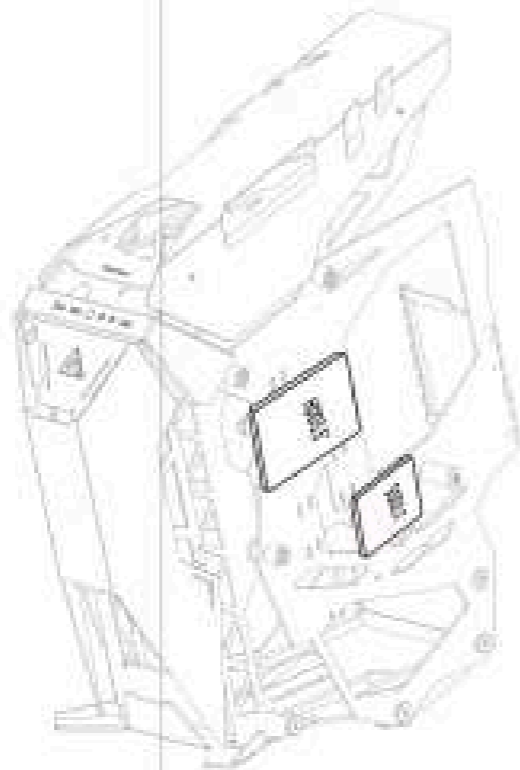
# TORQUE

A NEW ANGLE OF INNOVATION

## HARD DISK INSTALLATION 安装硬盘

Installing a 2.5" Solid State Drive  
安装固态硬盘

Installing a 3.5" Hard Disk Drive  
安装机械硬盘



5

<b>General</b>	
Form Factor	Mid Tower
Material	Aluminum
Side Panel Type	Tempered Glass
Ports & Controls	USB 3.0 x 2, MIC/AUDIO, Power, Type-C USB 4
Dimensions	621 x 205 x 644 mm (DW16)

<b>Compatibility &amp; Clearances</b>	
Motherboard Support	E-ATX (Up To 12" X 11") ATX, Micro-ATX, ITX
PSU Type	ATX12V (PS2)
Max GPU Length	≤ 450mm
Max CPU Cooler Height	≤ 215mm
Max Radiator (Front)	≤ 300mm
Max Radiator (Top)	≤ 300mm

<b>Expansion Slots &amp; Drive Bays</b>	
Expansion Slots	7
2.5" / 3.5" (convertible)	5
2x"	1

<b>Cooling</b>	
Front	3 x 120mm
Top	3 x 120mm

<b>接口/接口</b>	
USB 3.0	4个
USB 2.0	2个 & 2个
前置 USB 3.0 接口	2个 (USB/Power)
前置 USB 2.0 接口	2个
前置音频接口	USB 3.0 x 2, MIC/AUDIO, Power, Type-C USB 4
前置电源接口	621 x 205 x 644 mm (DW16)

<b>兼容性/兼容性</b>	
主板/主板支持	ATX, Micro-ATX, ITX
电源/电源类型	ATX12V (PS2)
显卡/显卡长度	≤ 450mm
散热器/散热器高度	≤ 215mm
最大前置散热器/最大前置散热器	≤ 300mm
最大顶部散热器/最大顶部散热器	≤ 300mm

<b>扩展槽/扩展槽 &amp; 驱动器</b>	
扩展槽	7
2.5" / 3.5" (可转换)	5
2x"	1

<b>冷却/冷却</b>	
前置	3 x 120mm
顶部	3 x 120mm

**Antec**  
BELIEVE IT

[www.POWERLITE.com/support](http://www.POWERLITE.com/support)

Antec, Inc., 47001 Lakeside Blvd, Fremont, CA 94538, US  
All rights reserved. Specifications are subject to change without notice. Antec, the Antec logo and PowerLite are registered trademarks of Antec Corporation. Other names and product names are trademarks of their respective owners. All other trademarks are the property of their owners.

©2016 - 2018 Antec, Inc. All rights reserved.