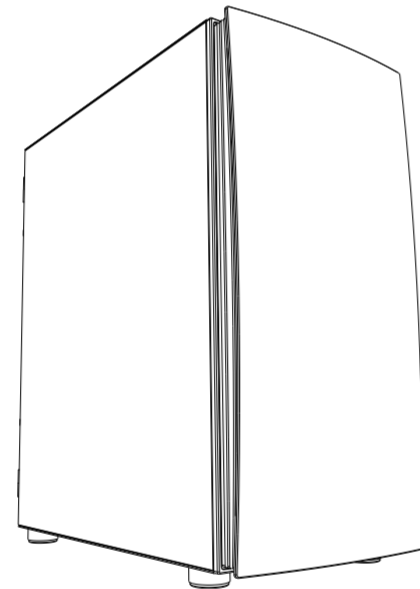
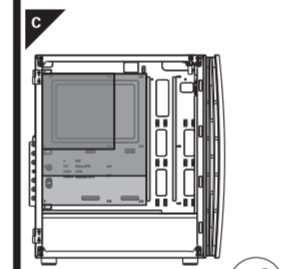


LC-POWER™
www.lc-power.com

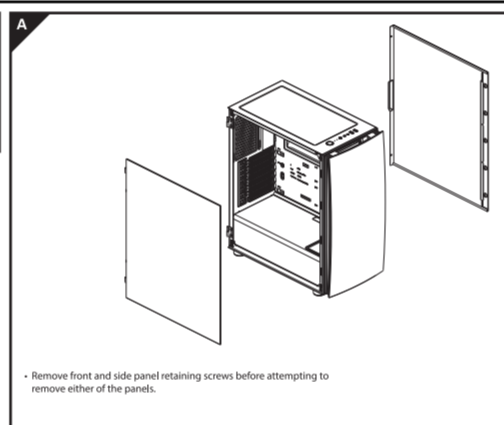
**GAMING 713W
BRIGHT_SAIL_X
Manual**



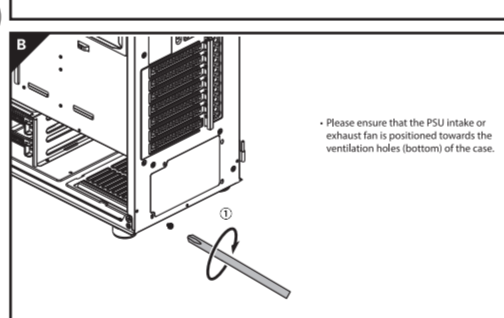
- 0**
- A: Removal of the front and side panels
 - B: Installation of the power supply (PSU)
 - C: Installation of the motherboard
 - D: Installation of fan(s) and/or radiator(s)
 - E: Installation of 3.5" HDDs
 - F: Installation of 2.5" HDDs or SSDs
 - G: Installing PCI / PCI-e card(s) and removing the expansion slot covers



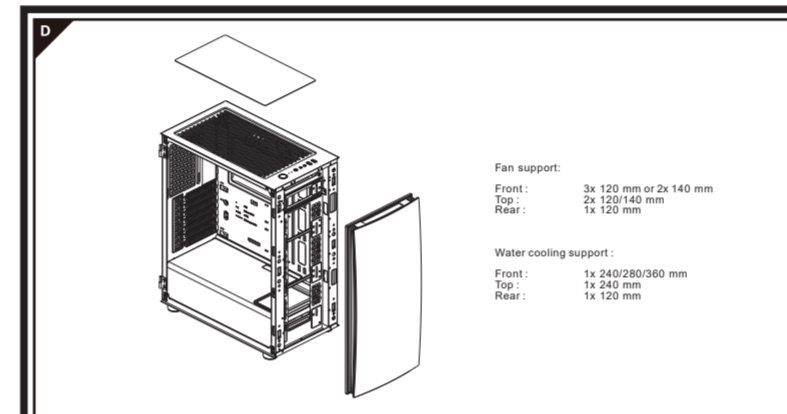
Ensure the copper mounting points are situated at the correct position for your motherboard, and secure with mounting screws (No.3).
*Note: Additional copper mounting points are provided if required.



Remove front and side panel retaining screws before attempting to remove either of the panels.

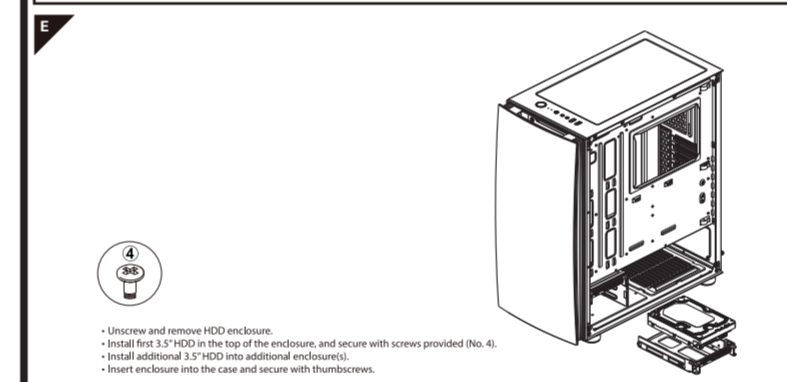


Please ensure that the PSU intake or exhaust fan is positioned towards the ventilation holes (bottom) of the case.

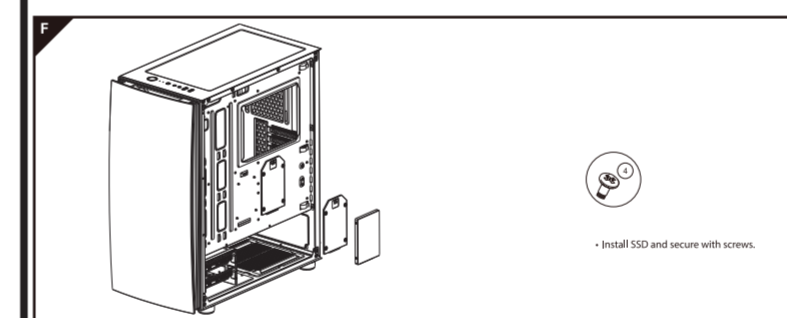


Fan support:
Front: 3x 120 mm or 2x 140 mm
Top: 2x 120/140 mm
Rear: 1x 120 mm

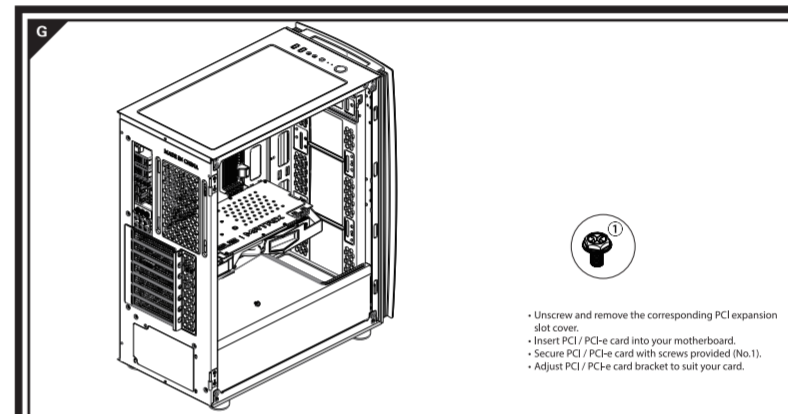
Water cooling support:
Front: 1x 240/280/360 mm
Top: 1x 240 mm
Rear: 1x 120 mm



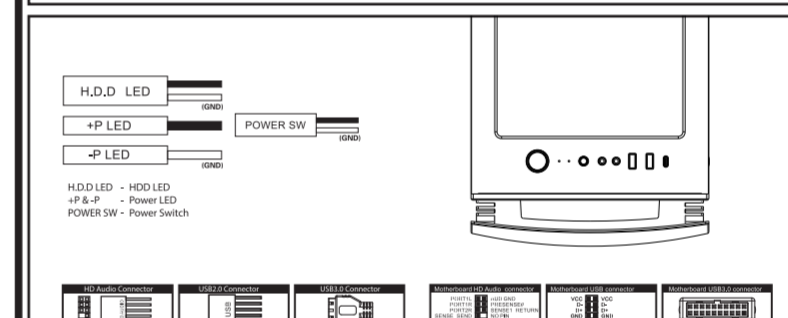
Uncrew and remove HDD enclosure.
Install first 3.5" HDD in the top of the enclosure, and secure with screws provided (No. 4).
Install additional 3.5" HDD into additional enclosure(s).
Insert enclosure into the case and secure with thumbscrews.



Install SSD and secure with screws.



Uncrew and remove the corresponding PCI expansion slot cover.
Insert PCI / PCI-e card into your motherboard.
Secure PCI / PCI-e card with screws provided (No.11).
Adjust PCI / PCI-e card bracket to suit your card.



Service & notes

Avoid direct sunlight and a high temperature environment, keep the case far away from fire and heat sources. Keep it in dry places, keep it away from corrosiveness causing materials. The product has a two year warranty period from the date of purchase, service issues will be handled by your dealer. If the case is damaged due to improper operation, the warranty period expires immediately. Check www.lc-power.com or contact us by e-mail at: service@lc-power.com.

Silent Power Electronics GmbH
Formerweg 8
47877 Willich
Germany